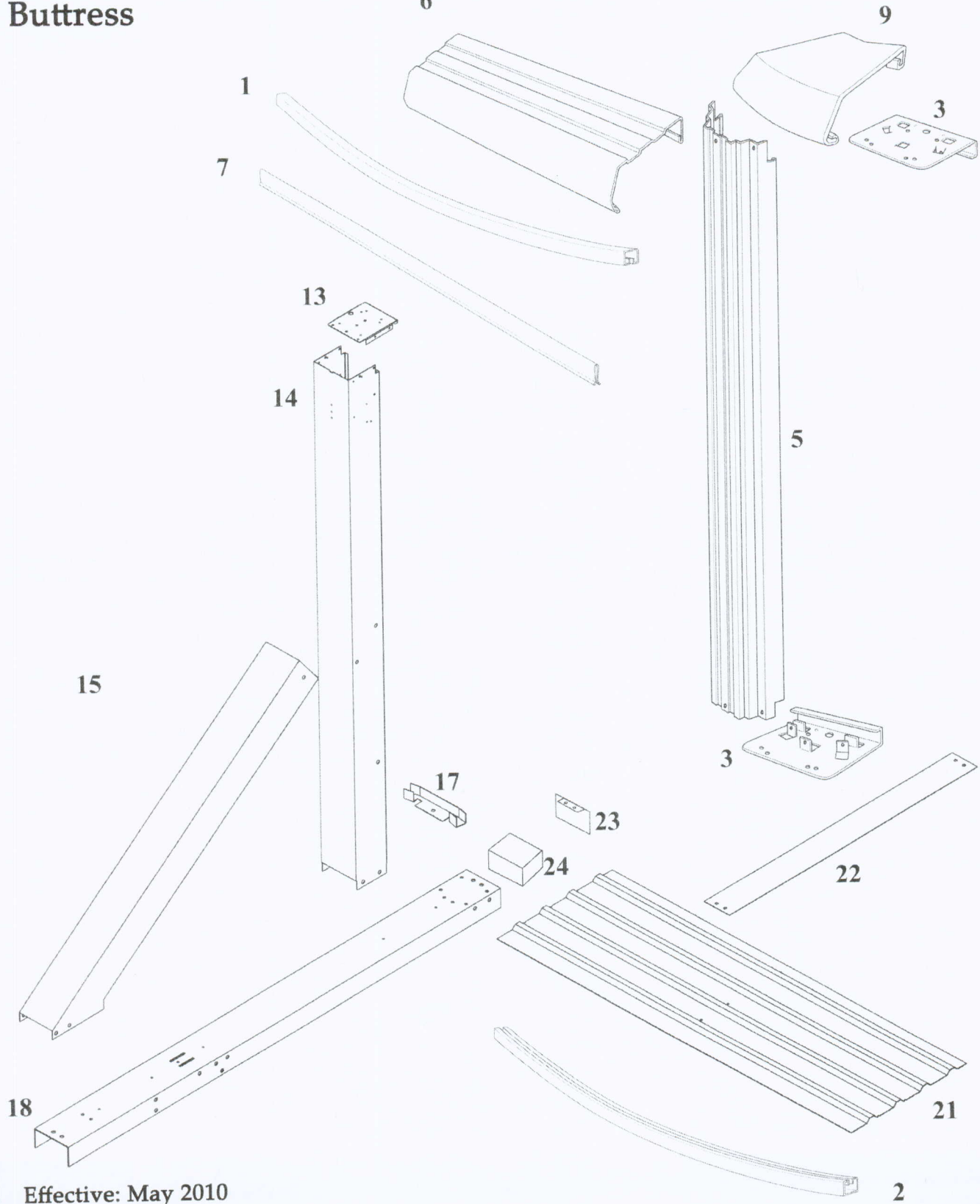


Sandstone Oval

*Part #'s 6, 2 and 1 come in different sizes depending on where they are installed.
Refer to the parts list

Reprive
PREP_BT52SSPSSN1
Buttress



Effective: May 2010
Cancel all previous

Sandstone Oval - Parts List				updated-10/24/16			
No.	Description	Part #	Length	12' x 24'	15' x 26'	15' x 30'	18' x 33'
Found in Carton Beginning in WIMP52S-SMNXXXX-XXX							
	Impressions Steel Wall			1	1	1	1
	Wall Bar 52" (51")	17635		2	2	2	2
Found in Carton Beginning in CRREPXXTS-XX							
6	Top Rails CVD	21424	40 1/8"	10			
		21425	51 3/16"		10	10	
		21426	51 15/16"				12
Found in Carton Beginning in CRREPUS52-XX							
5	Upright CVD	21430	51 13/16"	12	12	12	14
Found in Carton Beginning in CVREPTS-XX							
6	Top Rail STR Side	21427	41 1/4"	8	8	10	10
21	Pressure Plate (44")	16549	44"	6	6	8	8
Found in Carton Beginning in CVREPVS52-XX							
14	Wrap UR STR Side	35738	51 13/16"	6	6	8	8
24	Oval Channel Foam Block	29917	2x4x4 1/8	6	6	8	8
Found in Carton Beginning in CVSTRAPXX-XX							
18	Upper Oval Channel	16539	52 3/8"	6	6	8	8
22	Strap Section	16724	41 1/16"	6			
		16725	40 11/16"		9	12	
		16726	52 11/16"				12
17	Connector Btm Rail STR side	16542		6	6	8	8
23	Oval Channel End Cap	22726		6	6	8	8
Found in Carton Beginning in CVBPRL-STRUT-XXXX							
15	Wrap Strut	17916		6	6	8	8
	Hardware strut - 4 pack	22-36501		1	1	2	2
	Hardware strut - 2 pack	22-36502		1	1		
22	Strap Section	16723		3	3	4	4
Found in Carton Beginning in CXREPXXXX-PSSN1							
	Hardware Kit	44-10037		1	1		
		44-10039				1	1
	Safety Envelope	95-0007		1	1	1	1
	Customer DVD	36879		1	1	1	1
9	Top Cap Clip on 1 pc	21431		18	18	20	22
3	Top/Bottom Plate 4.5"	11595		24	24	24	28
13	Top Plate STR side 4"	10136		6	6	8	8
2	Bottom Track CVD	38736	5'6"R 38"	10			
		14950	7'6"R 49"		10	10	
		14949	9'0"R 50"				12
2	Bottom Track STR side-Lt blue	16713	37.5"				
2	Bottom Track Corner	16714	39"	4	4	4	4
1	INR Stabilizer	38501	5'6"R 42-5/8"	10			
		38502	7'6"R 53-1/4"		10	10	
		38503	9'0"R 54-1/8"				12
1	STR Middle Stabilizer	38512	9'0"R 33"	4	4	6	8
1	STR Center Stabilizer	38513	9'0"R 8"	6	6	8	8
1	STR Corner Stabilizer	38511	9'0"R 37"	4	4	4	4
7	Plastic Coping	10296	48"	16	19	19	21