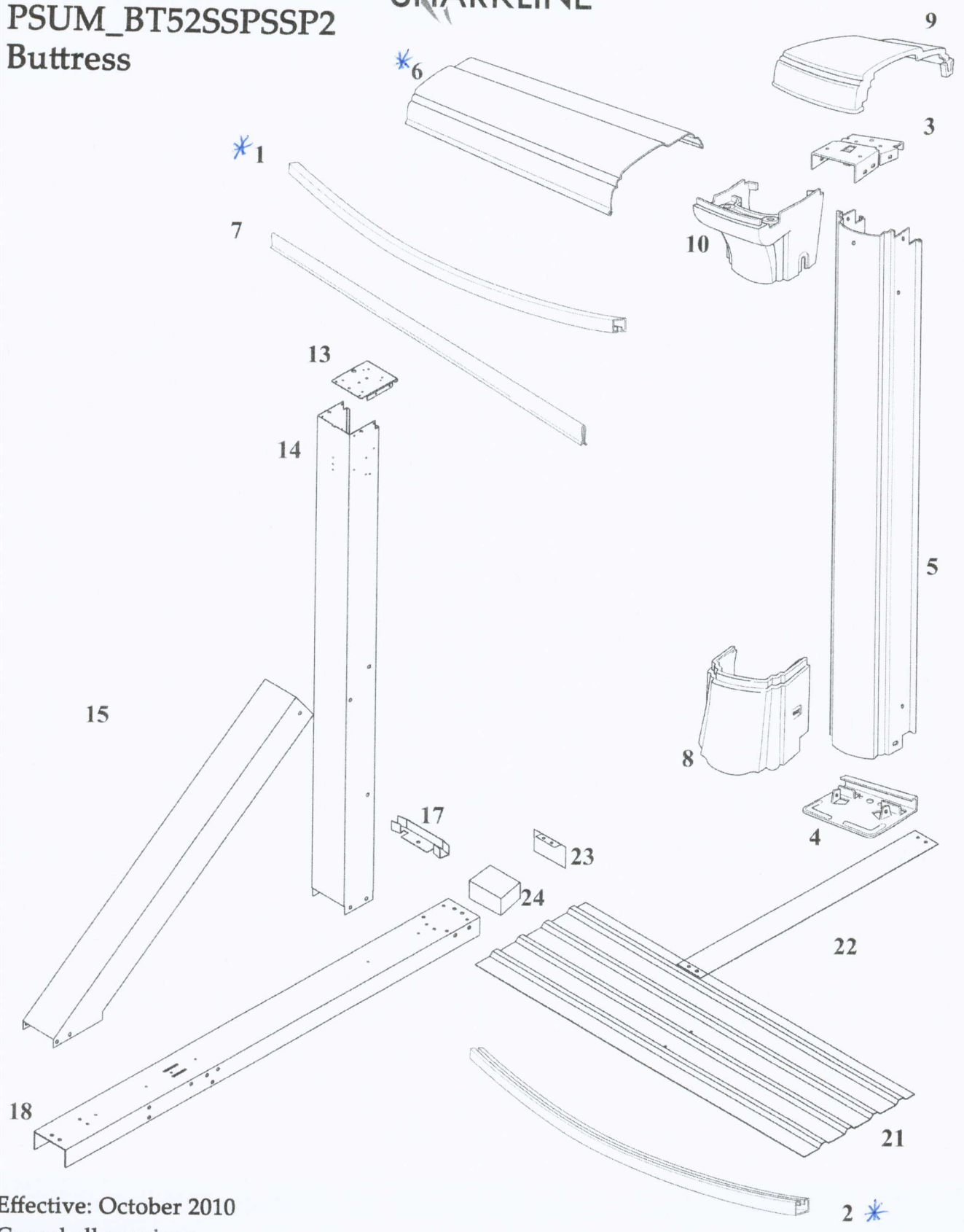


Keywest Oval

*Part #'s 6, 2 and 1 come in different sizes depending on where they are installed. Refer to the parts list

Summerfield STR SHARKLINE PSUM_BT52SSPSSP2 Buttress



Effective: October 2010
Cancel all previous

Keywest Oval - Parts List					updated-10/24/16				
No.	Description	Part #	Length	12'x17'	12' x 24'	15' x 26'	15' x 30'	18' x 33'	
Found in Carton Beginning in WSMG52S-WMAXXX-XXX									
	Summit Steel Wall			1	1	1	1	1	
	Aluminum Access Panel	WGXG52A		1	1	1	1	1	
	Wall Bar 52" (51")	17635		4	4	4	4	4	
Found in Carton Beginning in CRSUMXXTS-XX									
6	Top Rails CVD	19315	40 1/8"	12	10				
		19318	51 3/16"			10	10		
		19320	51 15/16"					12	
		19326	41 1/4"	2					
		16549	44"	4					
Found in Carton Beginning in CRSUMUS52-XX									
5	Upright CVD	29290	51 13/16"	10	12	12	12	14	
Found in Carton Beginning in CVSUMTS-XX									
6	Top Rail STR Side	19326	41 1/4"		8	8	10	10	
21	Pressure Plate (44")	16549	44"		6	6	8	8	
Found in Carton Beginning in CVSUMVS52-XX									
14	Wrap UR STR Side	35637	51 13/16"	4	6	6	8	8	
18	Upper Oval Channel	16539	52 3/8"	4					
22	Strap Section	16724	41 1/16"	4					
17	Connector Btm Rail STR side	16542		4					
23	Oval Channel End Cap	22726		4					
24	Oval Channel Foam Block	29917	2x4x4 1/8	4	6	6	8	8	
Found in Carton Beginning in CVSTRAPXX-XX									
18	Upper Oval Channel	16539	52 3/8"		6	6	8	8	
22	Strap Section	16724	41 1/16"		6				
		16725	40 11/16"			9	12		
		16726	52 11/16"					12	
17	Connector Btm Rail STR side	16542			6	6	8	8	
23	Oval Channel End Cap	22726			6	6	8	8	
Found in Carton Beginning in CVBPGR-STRUT-XXXX									
15	Wrap Strut	16664		4	6	6	8	8	
	Hardware strut - 4 pack	22-36501		1	1	1	2	2	
	Hardware strut - 2 pack	22-36502			1	1			
22	Strap Section	16723	39 9/32"	2	3	3	4	4	
Found in Carton Beginning in CXSUMXXXX-PSPP2									
	Hardware Kit	44-10102		1	1				
		44-10094				1			
		44-10098					1		
		44-10105						1	
	Safety Envelope/Customer DVD	95-0007		1	1	1	1	1	
10	Top Cap CVD support	19310		10	12	12	12	14	
9	Top Cap	19309		14	18	18	20	22	
10	Top Cap STR Support	19311		4	6	6	8	8	
8	Boot	19312		10	12	12	12	14	
13	Top Plate STR side 4"	10136		4	6	6	8	8	
3	Top Plate 5.5" Stepped	15614		10	12	12	12	14	
4	Bottom Place 5"	15444		10	12	12	12	14	
2	Bottom Track CVD-yellow	38736	5'6"R 38"	12	10				
	'-orange	14950	7'6"R 49"			10	10		
	"-black	14949	9'0"R 50"					12	
	Bottom Track STR side-Lt blue	16713	37.5"	2	4	4	6	6	
	Bottom Track Corner-orange	16714	39"		4	4	4	4	
1	INR Stabilizer	38501	5'6"R 42-5/8"	12	10				
		38502	7'6"R 53-1/4"			10	10		
		38503	9'0"R 54-1/8"					12	
1	STR Middle Stabilizer	38512	9'0"R 33"	2	4	4	6	6	
	STR Center Stabilizer	38513	9'0"R 8"	4	6	6	8	8	
	STR Corner Stabilizer	38511	9'0"R 37"		4	4	4	4	
7	Plastic Coping	10296	48"	16	16	19	19	21	