



5-1/2" Top Rail

48" - 52" - 54" Tall Round Pools

Parts List

Pool Parts List

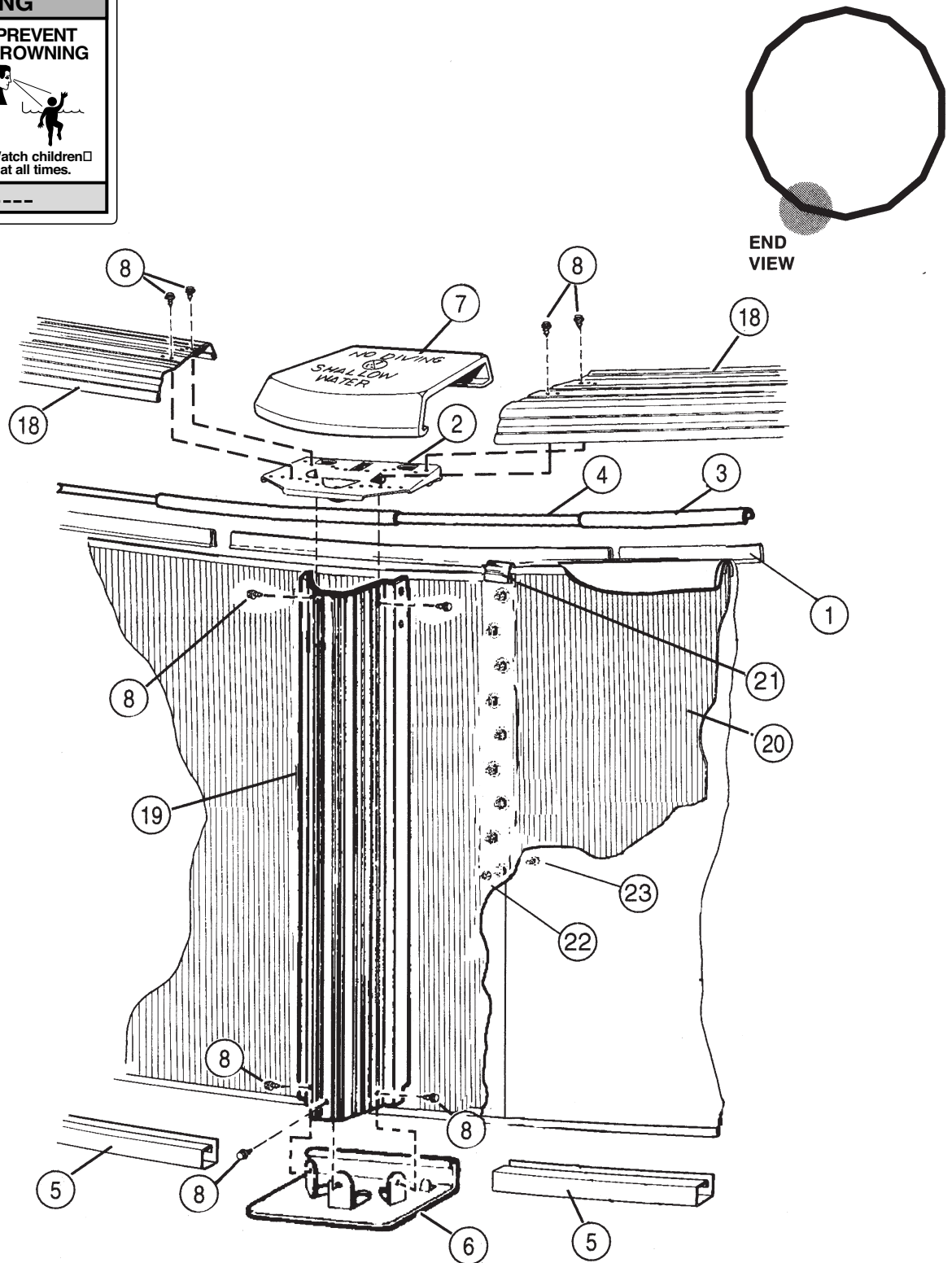
ITEM	DESCRIPTION	15'		18'		21'		24'		27'	
		PART #	QTY.	PART #	QTY.	PART #	QTY.	PART #	QTY.	PART #	QTY.
	FRAME PACK	5-9915-610	1	5-9918-610	1	5-9921-610	1	5-9924-610	1	5-9927-610	1
1.	Plastic Coping, 24"	545-1001	26	545-1001	31	545-1001	35	545-1001	40	545-1001	44
2.	Vertical End Cap	580-2379	10	580-2379	12	580-2379	14	580-2379	16	580-2379	18
3.	Stabilizer Rail, large dia.	583-1011	8	583-1011	9	583-1005	10	583-1005	11	583-1005	12
4.	Stabilizer Rail, small dia.	583-1012	8	583-1012	9	583-1004	10	583-1004	11	583-1004	12
5.	Bottom Rail	589-1302	10	589-1299	12	589-1204	14	589-1222	16	589-1300	18
6.	Bottom Connector	580-1344	10	580-1344	12	580-1344	14	580-1344	16	580-1344	18
7.	SEE BELOW										
*8.	Sheet Metal Screw, #10 x 1/2"	330-1127	90	330-1127	108	330-1127	126	330-1127	144	330-1127	162
9.	Pool Parts List	573-4288	1	573-4288	1	573-4288	1	573-4288	1	573-4288	1
10.	Pool Installation Instructions	573-3715	1	573-3715	1	573-3715	1	573-3715	1	573-3715	1
11.	Warranty Card	—	1	—	1	—	1	—	1	—	1
12.	"Safety First" Booklet	573-3169	1	573-3169	1	573-3169	1	573-3169	1	573-3169	1
	—	—	—	—	—	—	—	—	—	—	—
	—	—	—	—	—	—	—	—	—	—	—
	—	—	—	—	—	—	—	—	—	—	—
	—	—	—	—	—	—	—	—	—	—	—
	TOP RAIL PACK	5-9810-610	1	9-9812-610	1	5-9814-610	1	5-9816-610	1	5-9818-610	1
18.	Top Rail	587-1351	10	587-1351	12	587-1351	14	587-1351	16	587-1351	18
	VERTICAL PAK - 48" tall	5-9712-505	1	5-9715-505	1	5-9718-505	1	5-9724-505	1	5-9727-505	1
19.	Vertical	580-1945	10	580-1945	12	580-1945	14	580-1945	16	580-1945	18
	VERTICAL PAK - 52" tall	5-1200-904-560	1	5-1500-904-560	1	5-1800-904-560	1	5-2000-904-560	1	5-2700-904-560	1
19.	Vertical	580-2222	10	580-2222	12	580-2222	14	580-2222	16	580-2222	18
	VERTICAL PAK - 54" tall	5-9715-106	1	5-9718-106	1	5-9721-106	1	5-9724-106	1	5-9727-106	1
19.	Vertical	580-2377	10	580-2377	12	580-2377	14	580-2377	16	580-2377	18
	SIDEWALL CARTON										
20.	Sidewall		1		1		1		1		1
21.	Protective strip	535-1442	1	535-1442	1	535-1442	1	535-1442	1	535-1442	1
22.	1/4-20 Hex flange locknut	321-1029	27	321-1029	27	321-1029	27	321-1029	27	321-1029	27
23.	1/4-20 x 1/2" grade 5 Ph. screw	330-1280	27	330-1280	27	330-1280	27	330-1280	27	330-1280	27
24.	"Safety First" booklet	573-3169	1	573-3169	1	573-3169	1	573-3169	1	573-3169	1
25.	Safety video	573-3498	1	573-3498	1	573-3498	1	573-3498	1	573-3498	1
26.	Warning sign decal	560-1055	1	560-1055	1	560-1055	1	560-1055	1	560-1055	1
	TOP CONNECTOR PACK	5-9999-610	1	5-9999-612	1	5-9999-614	1	5-9999-616	1	5-9999-618	1
7.	Top connector	340-2139	10	340-2139	12	340-2139	14	340-2139	16	340-2139	18

* Screws are available in most hardware stores.

** Write sidewall carton number here and above _____.

Pool Parts List (con't)

		30'				
ITEM	DESCRIPTION	PART #	QTY.			
	FRAME PACK	5-9930-610	1			
1.	Plastic Coping, 24"	545-1001	47			
2.	Vertical End Cap	580-2379	20			
3.	Stabilizer Rail, large dia.	583-1005	14			
4.	Stabilizer Rail, small dia.	583-1004	14			
5.	Bottom Rail	589-1259	20			
6.	Bottom Connector	580-1344	20			
7.	SEE BELOW					
*8.	Sheet Metal Screw, #10 x 1/2"	330-1127	180			
9.	Pool Parts List	573-4288	1			
10.	Pool Installation Instructions	573-3715	1			
11.	Warranty Card	—	1			
12.	"Safety First" Booklet	573-3169	1			
	—	—	—			
	—	—	—			
	—	—	—			
	—	—	—			
	TOP RAIL PACK	5-9810-610	2			
18.	Top Rail	587-1351	20			
	VERTICAL PAK - 48" tall	5-9712-505	2			
19.	Vertical	580-1945	20			
	VERTICAL PAK - 52" tall	5-1200-904-560	2			
19.	Vertical	580-2222	20			
	VERTICAL PAK - 54" tall	5-9715-106	2			
19.	Vertical	580-2377	20			
	SIDEWALL CARTON					
20.	Sidewall		1			
21.	Protective strip	535-1442	1			
22.	1/4-20 Hex flange locknut	321-1029	27			
23.	1/4-20 x 1/2" grade 5 Ph. screw	330-1280	27			
24.	"Safety First" booklet	573-3169	1			
25.	Safety video	573-3498	1			
26.	Warning sign decal	560-1055	1			
	TOP CONNECTOR PACK	5-9999-610	2			
7.	Top connector	340-2139	20			



Important! Above-ground pools are designed for swimming and wading only. Do not Dive or Jump! Misuse of your pool may result in crippling injury and/or other dangers to life and health. Do not use slides, diving boards, or any other platform or object which can be used for improper pool entry. Use only an above-ground swimming pool ladder to enter or exit your pool. It is the pool owner's responsibility to secure the pool against unauthorized, unsupervised or unintentional entry. It is also the pool owner's responsibility to warn all pool users of the hazards of diving into shallow water: paralyzing injury may result. Always obey all safety rules. Remember, pool safety is everybody's responsibility.

Change of Design: The manufacturer (HII) expressly reserves the right to change or modify the design and construction of any product in due course of our manufacturing procedures, without incurring any obligation or liability to furnish or install such changes or modifications on products previously or subsequently sold.