

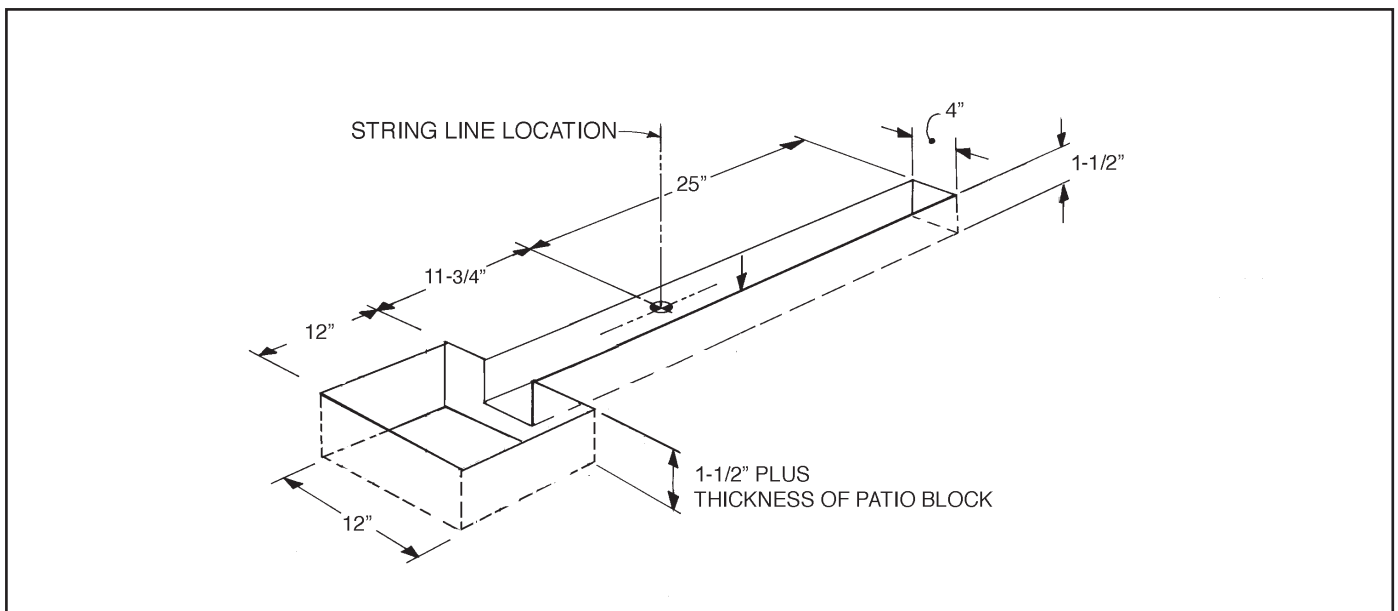
Compac Strap Oval Pool Assembly Supplement Assembly/Installation Instructions

Use these instructions in conjunction with the assembly guide included with your pool. Instead of using the 8" x 8" x 16" concrete blocks, patio stone blocks will be used. Refer to the Side Support Excavation illustration in this guide for side support installation. Please note that the normal bottom rail locator used for regular pools will not be used. A shorter bottom rail locator is used and attached to the lower set of holes in the side vertical along with a vertical extension so the side verticals will not be buried as deep as a normal compac support oval. All other instructions included with your pool for assembly need to be followed.

Refer to your Pool Assembly Guide and Pool Parts List for assembly and installation, modifying some procedures as outlined in these instructions.

SIDE SUPPORT EXCAVATIONS - FOR TYPICAL ON GROUND INSTALLATION

When installing the pool on hard soil, tension straps can be used for installation. Refer to your Pool Assembly Guide and Pool Parts List for assembly and installation, modifying some procedures as outlined in these instructions. When excavating for side supports, use the dimensions below to install patio blocks instead of the 8"x8"x16" concrete blocks. Replace the concrete blocks required in your assembly guide with 12"x12" patio stones, thickness can vary on patio blocks, see illustration below.



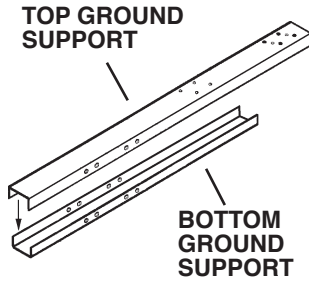
**REFER TO YOUR ASSEMBLY GUIDE INCLUDED WITH YOUR POOL.
DO NOT DIG OUT FOR PRESSURE PADS WHEN USING THESE INSTRUCTIONS.
YOU WILL NEED TO SCRIBE THE AREA WHERE THE PRESSURE PADS EDGES COME IN CONTACT WITH THE GROUND. SCRIBE THE AREA DEEP ENOUGH SO THE PRESSURE PADS SIT FLUSH WITH THE SURROUNDING AREA.**

1 ASSEMBLE SIDE VERTICALS

Refer to the illustrations below with your Pool Parts List and Assembly Guide to assemble the side supports as shown. **NOTE: The skid support is deleted. DO NOT assemble the bottom rail locator, outside pressure pad or tension straps at this time.**

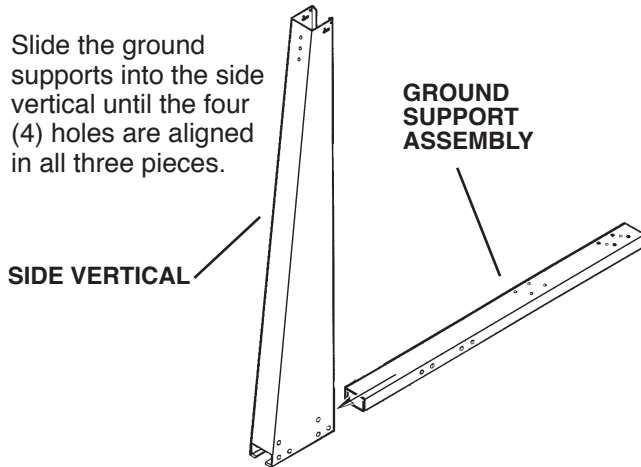
A SLIDE SUPPORTS TOGETHER

Position the top ground support over the bottom ground support and lower it to enclose the bottom ground support.



B SLIDE SUPPORTS INTO VERTICAL

Slide the ground supports into the side vertical until the four (4) holes are aligned in all three pieces.



C FASTEN VERTICAL TO GROUND SUPPORTS AND INSTALL SIDE VERTICAL PRESSURE PAD

Fasten the vertical using four (4) 3/8" bolts and nuts as shown. Tighten securely using two 9/16" wrenches. Assemble the side vertical pressure pad to the ground support assembly using four (4) #12 x 3/4" screws. Tighten securely.

SARATOGA ONLY: Fasten the side vertical bottom caps using two (2) 3/8" bolts and nuts in the two upper holes as shown. **DO NOT ASSEMBLE ANY OTHER PARTS AT THIS TIME.**

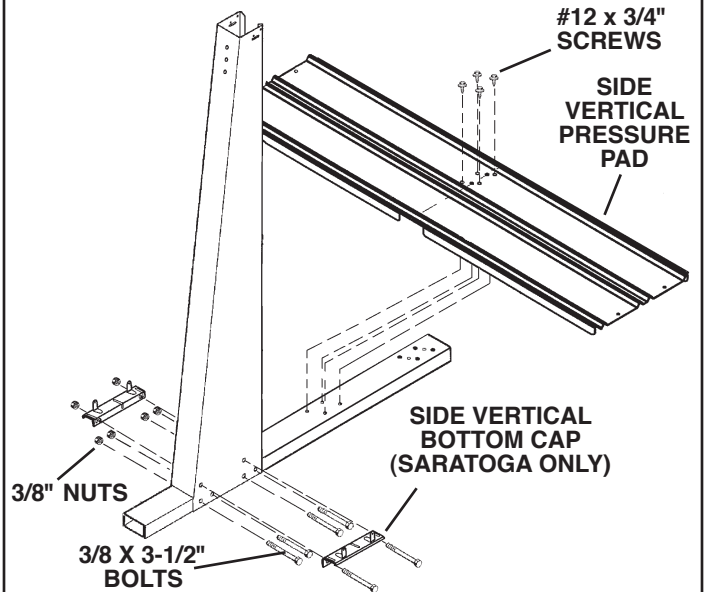
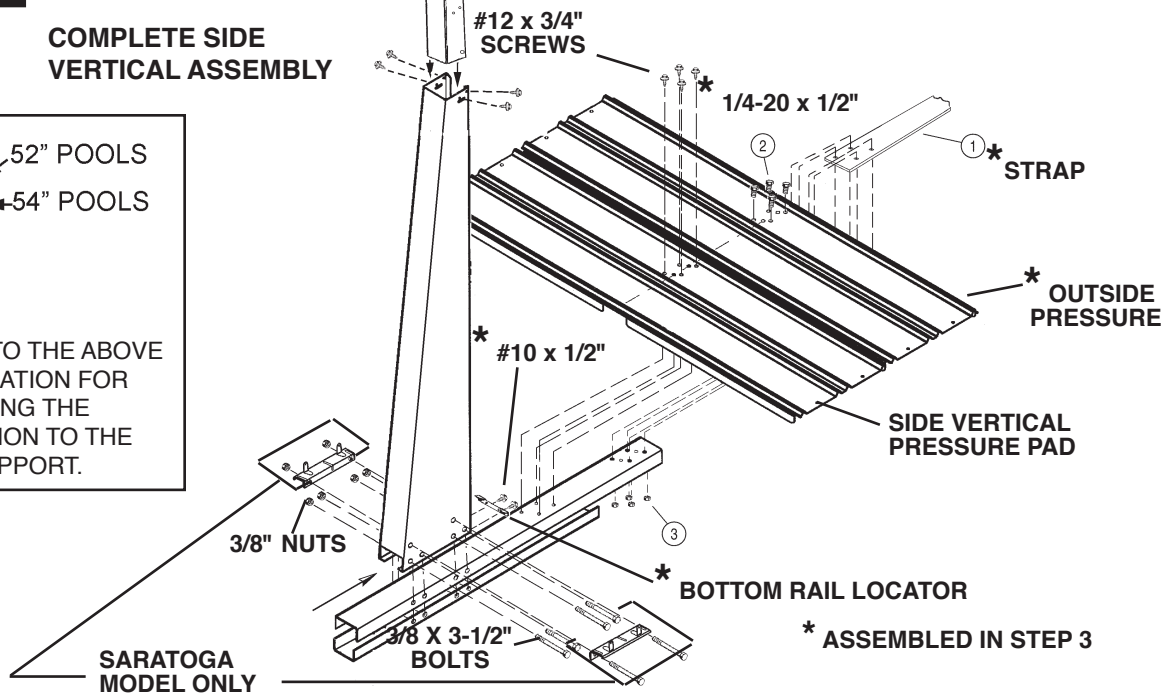
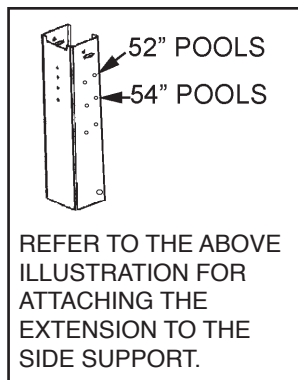


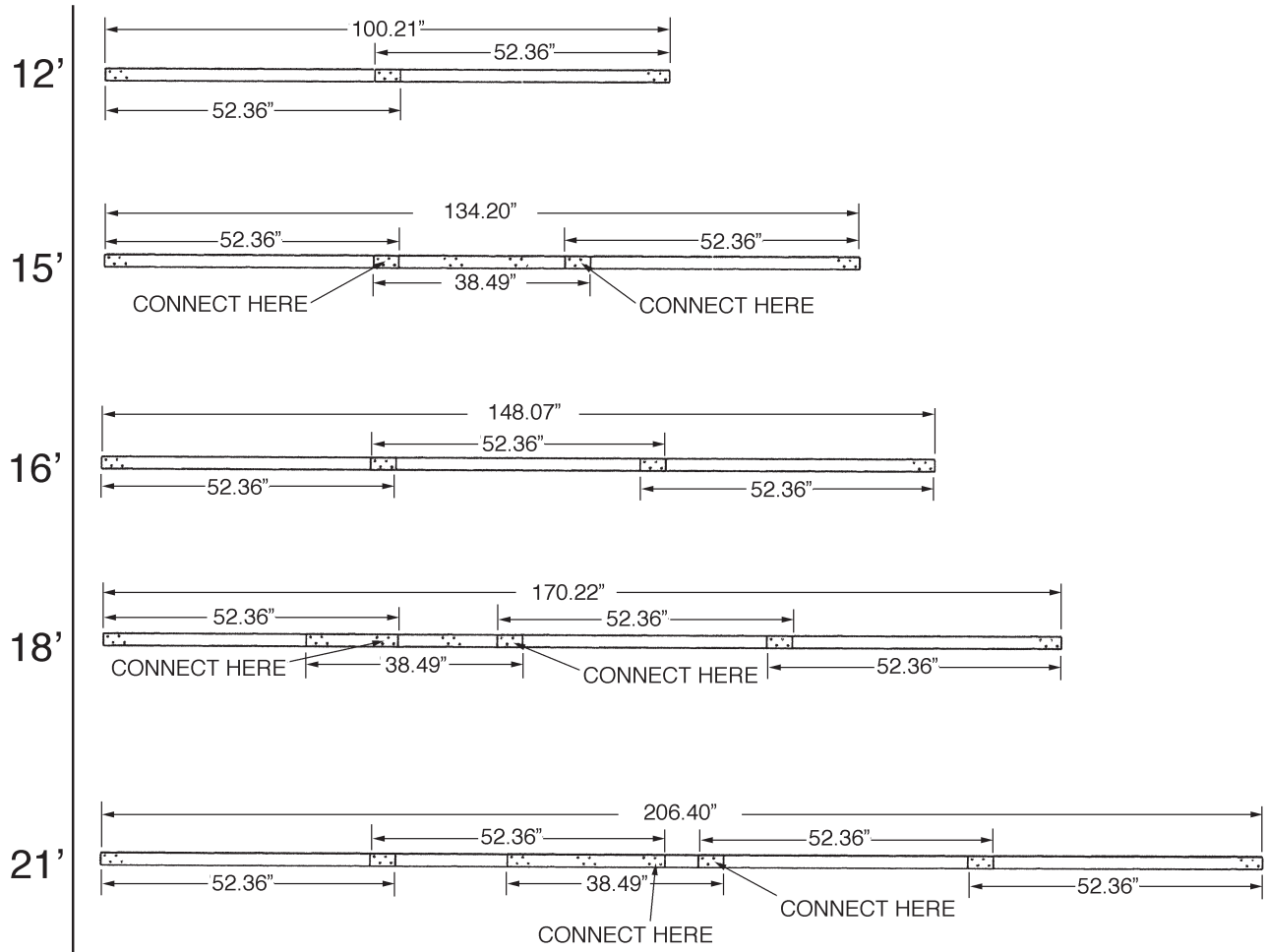
Fig. B COMPAC II W/STRAP

COMPLETE SIDE VERTICAL ASSEMBLY

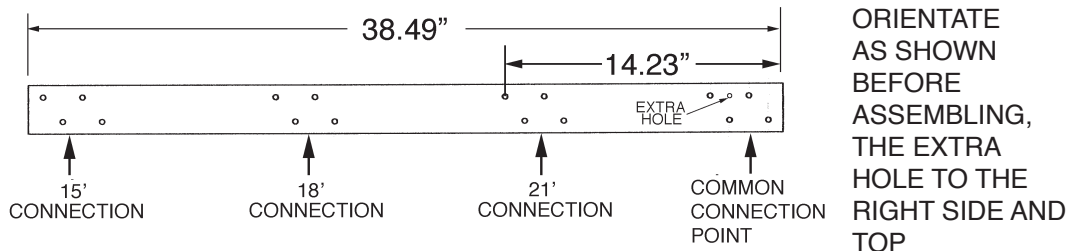


POOL
WIDTH

STRAP LENGTHS



SHORT CONNECTION STRAP USED FOR 15', 18' AND 21' WIDE OVALS

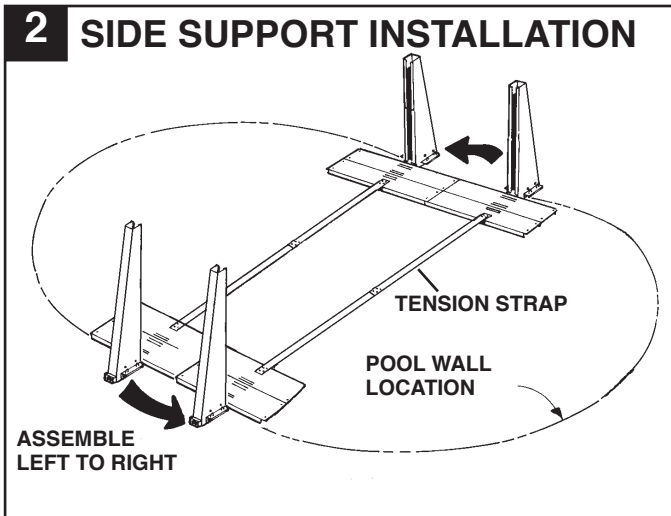


When installing tension straps, attach one end of the longest strap to the foundation beam and pressure pad assembly as shown in Fig B on page 2. The strap attaches between the pressure pad and foundation beam through the slot in the pressure pad. Use (4) each 1/4"-20 -1/2" bolts and nuts and tighten. Once attached to the side supports, connect the straps together by using (4) each 1/4"-20x1/2" bolts and nuts at each connection point, **make sure the bolt heads are on top of the straps.** See illustration above for proper strap assembly lengths and confirm before installation.

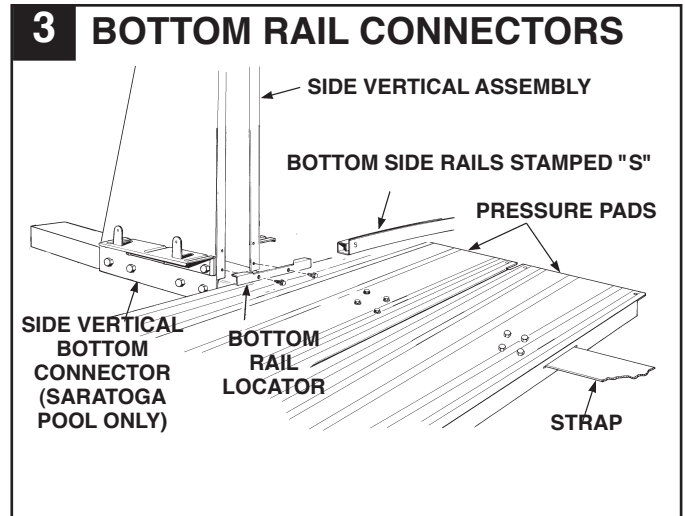
EXAMPLE: 21' wide oval pool strap assembly. To make one strap assembly, you will need 5 strap pieces consisting of 4 long straps and 1 short strap. To connect the short strap you will overlap the long strap and the short strap. Refer to the above diagram for the 21' connections. Connect the Common Connection Point on the short strap, make sure this is on the right hand side facing the strap with the holes orientated as shown and using the provided bolts and nuts. Now overlap the longer strap on the left hand side and use the holes closest to the Common Connection Point on the short strap and assemble with bolts and nuts. Connect all the other long straps together until you have 4 long straps and 1 short strap assembly. You will need 1 strap assembly for each pair of side supports. For example, If you have a total of 8 side supports, you will need 4 strap assemblies.

Once the strap assemblies are attached and completed and all hardware is tightened properly, place the side supports in the excavated area and on top of the patio blocks. Assure the side supports are square and parallel with each, measure diagonally from each outer side support on each corner. Make sure the measurements are the same. Double check your pool layout in your assembly guide for all other dimensions.

Refer to Step 2 and 3 on the following page for more information.

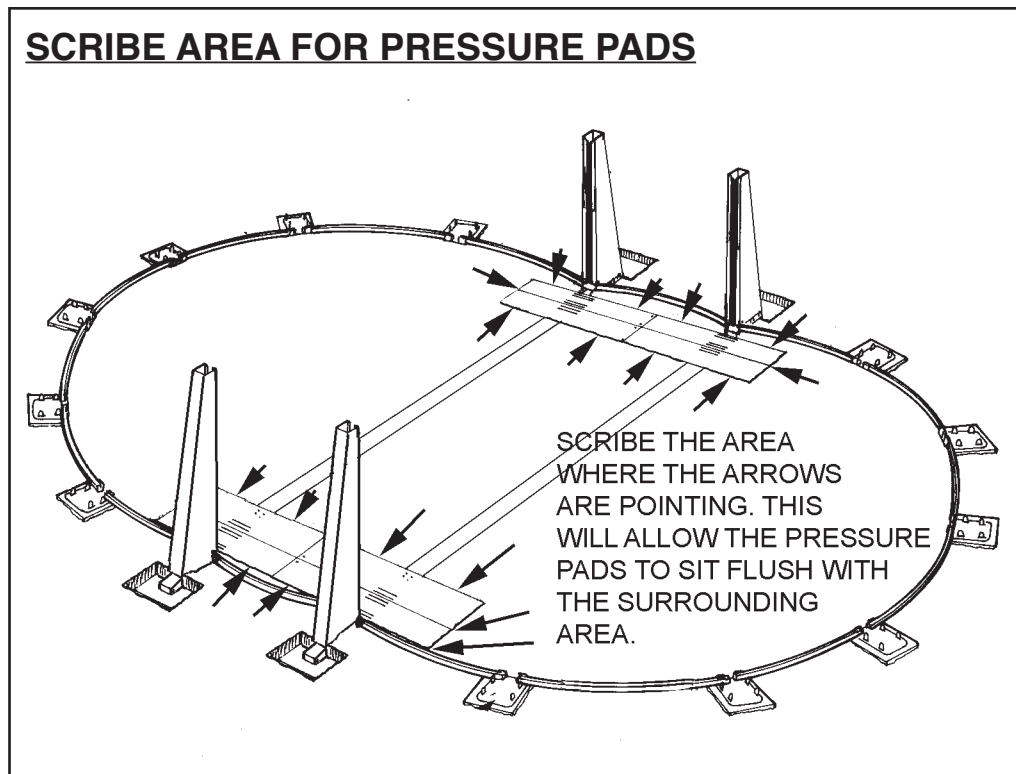


Position the side support assemblies at their installed locations. REFER TO ILLUSTRATION BELOW WHEN INSTALLING PRESSURE PADS. Place the outside pressure pad on the side support assembly and insert one end of the tension strap into the notch in the front lip of the pressure pad. Line up the four holes in the pressure pad, tension strap and upper ground support. Place four 1/4-20 bolts through the holes, tilt the side support assembly back and firmly secure the bolts with 1/4-20 nuts. Repeat this procedure for all side supports.



Assemble the bottom rail locators and bottom rails stamped "S" and attach them between the side verticals using the top two holes in the verticals.

REFER TO YOUR POOLS ASSEMBLY GUIDE FOR COMPLETION OF YOUR POOL.



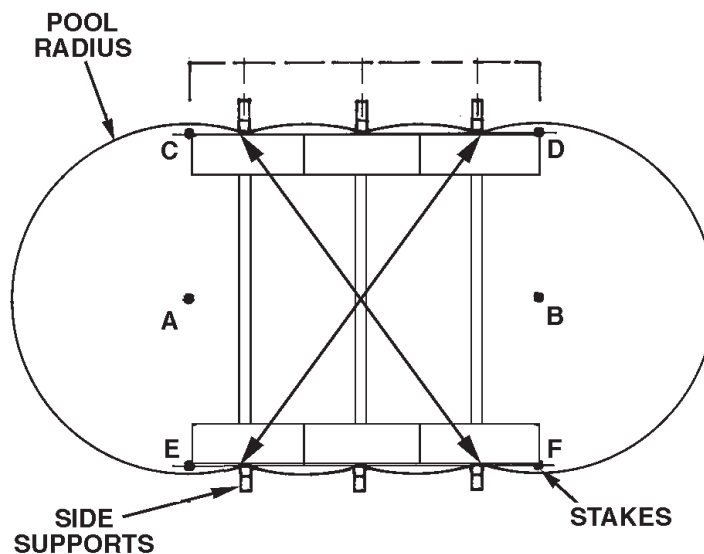
Once the excavation has been completed for the supports. Attach the pressure pads and tension straps. Scribe the area where the pressure pad edges contact the earth. Scribe it deep enough for the lip to rest in and allow the pressure pad to be flush with the surrounding area.

BEFORE INSTALLING LINER, BE SURE THE TENSION STRAPS ARE LAYING FLAT AND COVERED WITH DIRT. THE PRESSURE PADS WILL ALSO NEED TO BE COVERED WITH SIFTED DIRT TO PREVENT THE LINER FROM CONTACTING THE PRESSURE PADS. FAILURE TO PROPERLY COVER STRAPS AND PRESSURE PADS COULD LEAD TO LINER DAMAGE AND IS NOT COVERED BY WARRANTY.

MEASURE DIAGONALLY

SEE ILLUSTRATION BELOW.

YOUR POOL MAY HAVE MORE OR LESS SIDE SUPPORTS BUT ALWAYS MEASURE THE OUTER SUPPORT AS SHOWN.



Once the strap assemblies are attached and completed and all hardware is tightened properly, place the side supports in the excavated area and on top of the patio blocks. To assure the side supports are square and parallel with each, measure diagonally from each outer side support on each corner and make sure the measurements are the same, if not adjust as needed so the measurements are the same for both sides. Double check your pool layout in your assembly guide for all other dimensions.

STRAP PARTS LIST

POOL WIDTH	ITEM NUMBER	DESCRIPTION	CONSIST OF:		BOLTS	NUTS	
			QTY STRAP P/N	QTY STRAP P/N	P/N 510-1018 QTY	P/N 511-1000 QTY	
12'	5-8495-222	2 PACK	(4)	580-2386	—	24	24
12'	5-8495-223	3 PACK	(6)	580-2386	—	36	36
15'	5-8495-232	2 PACK	(4)	580-2386	(2) 580-2387	32	32
15'	5-8495-233	3 PACK	(6)	580-2386	(3) 580-2387	48	48
16'	5-8495-262	2 PACK	(6)	580-2386	—	32	32
16'	5-8495-263	3 PACK	(9)	580-2386	—	48	48
18'	5-8495-242	2 PACK	(6)	580-2386	(2) 580-2387	40	40
18'	5-8495-243	3 PACK	(9)	580-2386	(3) 580-2387	60	60
21'	5-8495-252	2 PACK	(8)	580-2386	(2) 580-2387	48	48
21'	5-8495-253	3 PACK	(12)	580-2386	(3) 580-2387	72	72

STRAP PART NUMBERS AND LENGTHS

STRAP P/N	LENGTH
580-2386	52.36"
580-2387	38.49"

EXTENSION PARTS LIST

	ITEM NUMBER	DESCRIPTION	CONSIST OF:		BTM RAIL LOCATOR	SCREWS
			QTY	Extension P/N	P/N 580-1793 QTY	P/N 330-1127 QTY
	5-8802-400	4 PACK	(4)	580-2450	4	16
	5-8802-600	6 PACK	(6)	580-2450	6	24
	5-8802-408	4 PACK	(4)	580-2447	4	16
	5-8802-608	6 PACK	(6)	580-2447	6	24
	5-8802-410	4 PACK	(4)	580-2449	4	16
	5-8802-610	6 PACK	(6)	580-2449	6	24
	5-8802-405	4 PACK	(4)	580-2451	4	16
	5-8802-605	6 PACK	(6)	580-2451	6	24
	5-8802-406	4 PACK	(4)	580-2444	4	16
	5-8802-606	6 PACK	(6)	580-2444	6	24

Hill • 315 N. Sebastian Street • West Helena, AR 72390