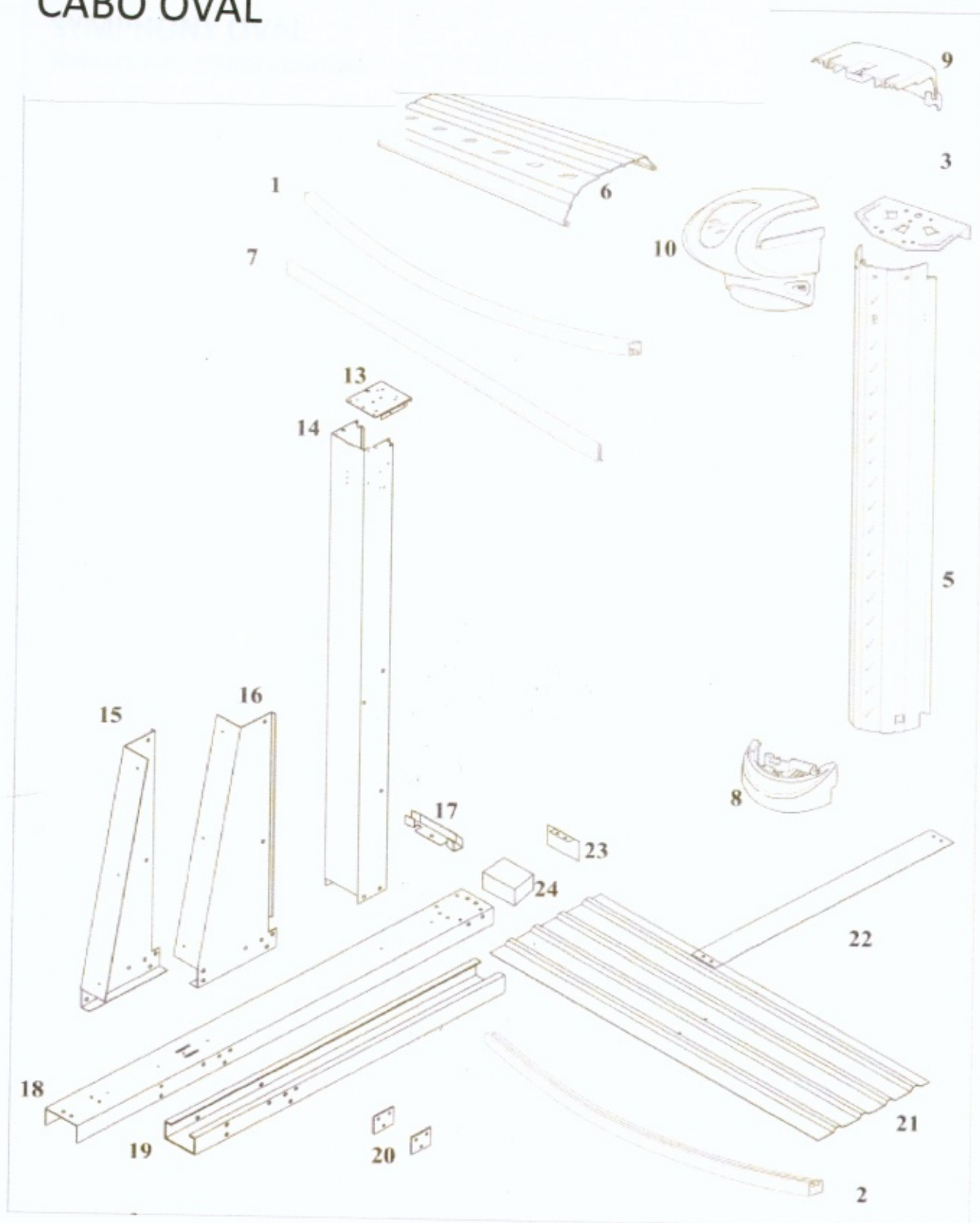


CABO OVAL



WBI Pool Breakout

PSYM-YM152654RSRARRH2

SYMPHONY OVAL 15 x 26 Ft YARD MORE 1526-54 RSRARRH2

Features: OVAL
 Size: 15 x 26 Ft
 Depth: 54

9.80

Structure Composition

RESIN - SAND Top Ledges
 STEEL - MOCHA METALLIC Uprights
 RESIN Bottom Rails
 ALUMINUM Stabilizers
 RESIN Bottom Plates
 RESIN Top Plates

Note: Double click on carton product search key to see content sheet

Qty	Carton Part #	Carton Content Description
1	CRSYM15TR-10	CTN: SYM 15 CRV-SIDE FRAME COMP
1	CRSYMUS54-12	CTN: SYM 54" CRV-SIDE FRAME COMP
1	CVSTRAP15-09	CTN: UNIV OVL-STR-SIDE FRAME COMP
1	CVSYMTR-08	CTN: SYM OVL-STR-SIDE FRAME COMP
1	CVSYMVS54-06	CTN: SYM 54" OVL-STR-SIDE FRAME COMP
1	CVUCGMOM-0202	CTN: UNIV OVL-STR-SIDE FRAME COMP
1	CVUCGMOM-0404	CTN: UNIV OVL-STR-SIDE FRAME COMP
1	CXSYM1526-RARRH2	CTN: SYM 1526 MIXED CRV/STR COMP
1	*** WALL ***	Wall - Depth: 54" Size: 15 x 26 Ft

10/1/2021

Content Sheet

CRSYM15TR-10 -- CTN: SYM 15 CRV-SIDE FRAME COMP

Pic#			DESCRIPTION
	1	22-10090	HDW SS #10X1 PHILHX WSHR SCREW 99-0070 QTY-40
6	10	22770	TR SAND RESIN 15' 51 1/16" IND/HER
Packaging			
	1	97-1353B	CARTON-EMPTY [3X] ID 58-1/16X12-1/2X5-5/8 ETC48 BOT
	1	97-1353T	CARTON-EMPTY [3X] ID 58-5/16X14X5-3/4 ETC48 TOP

NOTICE: Please make sure you save this document with your original pool purchase records. It contains vital information to assist us in identifying your pool should you ever need assistance.

Content Sheet

CRSYMUS54-12 -- CTN: SYM 54" CRV-SIDE FRAME COMP

Pic #

Pic #	QTY	SKU	DESCRIPTION
5	12	22045	UR 6" MOCHA 53-5/8" MEL [H2]
Packaging			
	1	97-1351B	CARTON-EMPTY [4X] ID 58-1/16X8-3/4X5-5/8 ETC48 BOT
	1	97-1351T	CARTON-EMPTY [4X] ID 58-5/16X10-1/4X5-3/4 ETC48 TOP

NOTICE: Please make sure you save this document with your original pool purchase records. It contains vital information to assist us in identifying your pool should you ever need assistance.

Content Sheet

CVSTRAP15-09 -- CTN: UNIV OVL-STR-SIDE FRAME COMP

Pic #			DESCRIPTION
18	6	16539	STRAP OVER CHANNEL 2" TALL X 52 3/8"
17	6	16542	CONNECTOR BTM RAIL 1" STR SIDE STEEL
22	9	16725	STRAP SECTION 40 11/16"(FOR 15')
23	6	22726	OVAL CHANNEL END CAP
Packaging			
1	97-1351B	CARTON-EMPTY [4X] ID 58-1/16X8-3/4X5-5/8 ETC48 BOT	
1	97-1351T	CARTON-EMPTY [4X] ID 58-5/16X10-1/4X5-3/4 ETC48 TOP	

NOTICE: Please make sure you save this document with your original pool purchase records. It contains vital information to assist us in identifying your pool should you ever need assistance.

Content Sheet

CVSYMTR-08 -- CTN: SYM OVL-STR-SIDE FRAME COMP

Pic #			DESCRIPTION
21	6	16549	PRESSURE PLATE (44")
	1	22-10073	HDW SS #10X1 PHILHX WSHR SCREW 99-0070 QTY-32
6	8	22775	TR SAND RESIN STR SIDE 41 1/8" IND/HER
Packaging			
	1	97-1355B	CARTON-EMPTY [2X] ID 58-5/16X20X5-5/8 ETC48 BOT
	1	97-1355T	CARTON-EMPTY [2X] ID 58-5/16X21-1/2X5-3/4 ETC48 TOP

NOTICE: Please make sure you save this document with your original pool purchase records. It contains vital information to assist us in identifying your pool should you ever need assistance.

Content Sheet

CVSYMVS54-06 -- CTN: SYM 54" OVL-STR-SIDE FRAME COMP

Pie #			DESCRIPTION
24	6	29917	OVAL CHANNEL FOAM BLOCK 2 X 4 X 4 1/8
14	6	38838	WRAP UR OVAL MOCHA METALLIC 54" (55" OVERALL LENGTH)
Packaging			
	1	97-1353B	CARTON-EMPTY [3X] ID 58-1/16X12-1/2X5-5/8 ETC48 BOT
	1	97-1353T	CARTON-EMPTY [3X] ID 58-5/16X14X5-3/4 ETC48 TOP

NOTICE: Please make sure you save this document with your original pool purchase records. It contains vital information to assist us in identifying your pool should you ever need assistance.

Content Sheet

CVUCGMOM-0202 -- CTN: UNIV OVL-STR-SIDE FRAME COMP

Pic #			DESCRIPTION
19	2	15933	UNDER CHANNEL YARDMORE 45 9/16"
	1	22-16722	HDW SS ADD PACK YM (2 UPRIGHT)
15	2	38562	YARDMORE GUSSET LEFT MOCHA METALLIC
16	2	38563	YARDMORE GUSSET RIGHT MOCHA METALLIC
Packaging			
1		97-1353B	CARTON-EMPTY [3X] ID 58-1/16X12-1/2X5-5/8 ETC48 BOT
1		97-1353T	CARTON-EMPTY [3X] ID 58-5/16X14X5-3/4 ETC48 TOP

NOTICE: Please make sure you save this document with your original pool purchase records. It contains vital information to assist us in identifying your pool should you ever need assistance.

Content Sheet

CVUCGMOM-0404 -- CTN: UNIV OVL-STR-SIDE FRAME COMP

Pic #			DESCRIPTION
19	4	15933	UNDER CHANNEL YARDMORE 45 9/16"
	1	22-16720	HDW SS BASE PACK YM(4 UPRIGHTS)
15	4	38562	YARDMORE GUSSET LEFT MOCHA METALLIC
16	4	38563	YARDMORE GUSSET RIGHT MOCHA METALLIC
Packaging			
	1	97-1353B	CARTON-EMPTY [3X] ID 58-1/16X12-1/2X5-5/8 ETC48 BOT
	1	97-1353T	CARTON-EMPTY [3X] ID 58-5/16X14X5-3/4 ETC48 TOP

NOTICE: Please make sure you save this document with your original pool purchase records. It contains vital information to assist us in identifying your pool should you ever need assistance.

Content Sheet

CXSYM1526-RARRH2 -- CTN: SYM 1526 MIXED CRV/STR COMP

Pie #			DESCRIPTION
7	19	10296	PLASTIC COPING SINGLE 48" FOR METAL STAB
1	10	10307	INR STAB SQ ALUM 7'6"R 53-1/4" ORANGE
2	10	12311	BTM RAIL (LX) PRL RESIN 7'6" R 49" ORANGE
2	4	12327	BTM RAIL (LX) PRL RESIN 9'0" R 37-1/2" STR LIGHT BLUE
2	4	12328	BTM RAIL (LX) PRL RESIN 9'0" R 39" CRNR FLUO ORANGE
1	4	16545	RIM 5/8" SQ ALM 9'0"R 33" BLACK
1	6	16546	RIM 5/8" SQ ALM 9'0"R 8" BLACK
1	4	16547	RIM 5/8" SQ ALM 9'0"R 37" BLACK
10	12	22047	TC 7" CHOCOLATE OUTER HALF CVD [H2]
10	6	22048	TC 7" CHOCOLATE OUTER HALF STR [H2]
9	18	22049	TC 7" CHOCOLATE INNER HALF [H2]
8	12	22050	TC 7" CHOCOLATE BOOT [H2]
	1	36878	BACKYARD LEISURE CONSUMER DVD
13	12	38908	TOP PLATE 6" RESIN
3	6	38911	TOP PLATE OVAL RESIN
	1	44-10025	HARDWARE POOL KIT ZY OVAL 25
	1	920045	BACKYARD LEISURE WARRANTY TERMS & CONDITIONS
	1	95-0007	ENVELOPES SAFETY COMPLETE

Packaging		
1	97-1357B	CARTON-EMPTY [2XT] ID 58-5/16X20X9-5/8 ETC48 BOT
1	97-1357T	CARTON-EMPTY [2XT] ID 58-5/16X21-1/2X9-3/4 ETC48 TOP

NOTICE: Please make sure you save this document with your original pool purchase records. It contains vital information to assist us in identifying your pool should you ever need assistance.