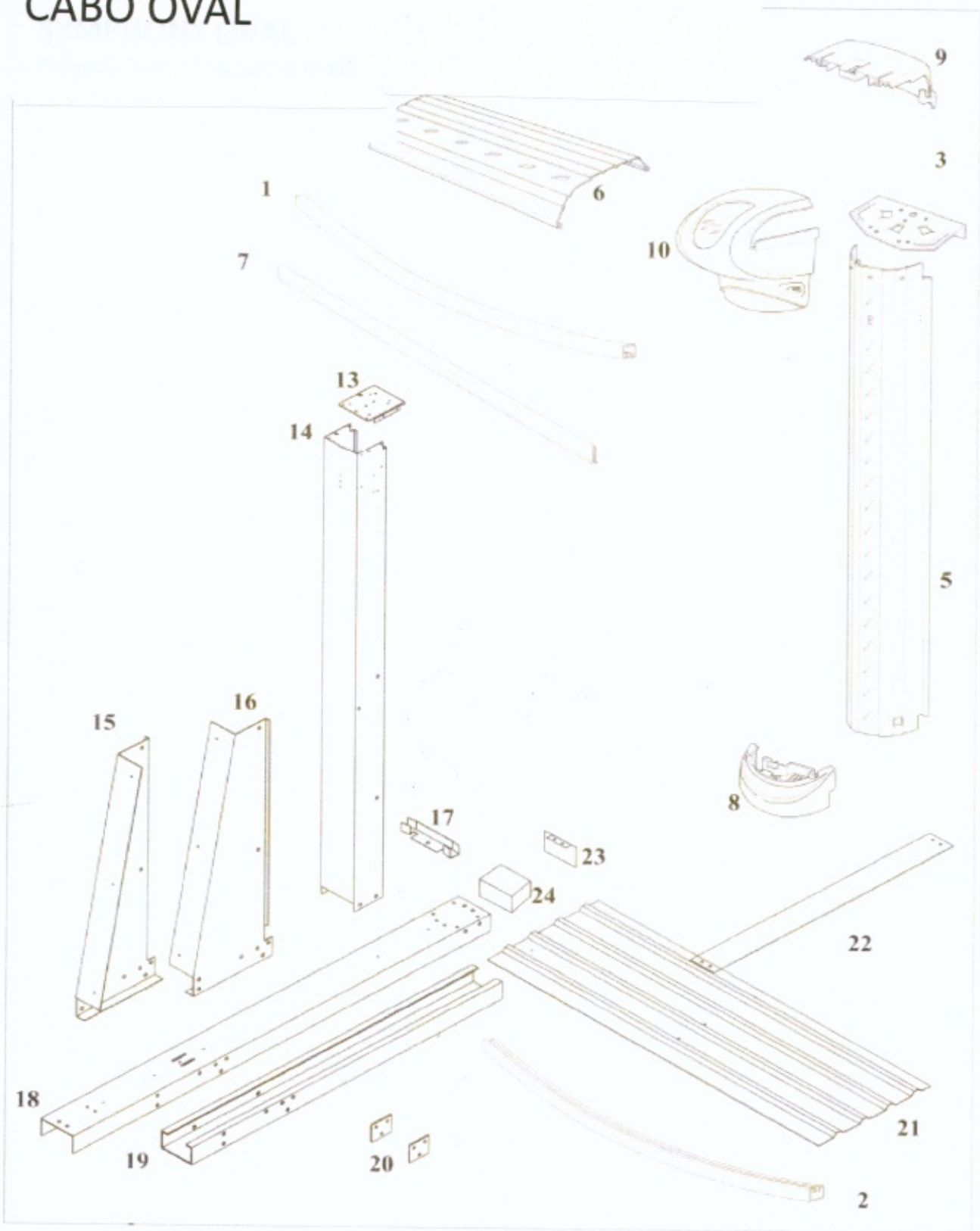


# CABO OVAL



# WBI Pool Breakout

**PSYM-YM183354RSRARRH2**

SYMPHONY OVAL 18 x 33 Ft YARD MORE 1833-54 RSRARRH2

**Features:** OVAL  
 Size: 18 x 33 Ft  
 Depth: 54

9.80

**Structure Composition**

RESIN - SAND Top Ledges  
 STEEL - MOCHA METALLIC Uprights  
 RESIN Bottom Rails  
 ALUMINUM Stabilizers  
 RESIN Bottom Plates  
 RESIN Top Plates

*Note: Double click on carton product search key to see content sheet*

Qty	Carton Part #	Carton Content Description
1	CRSYM18TR-12	CTN: SYM 18 CRV-SIDE FRAME COMP
1	CRSYMUS54-14	CTN: SYM 54" CRV-SIDE FRAME COMP
1	CVSTRAP18-12	CTN: UNIV OVL-STR-SIDE FRAME COMP
1	CVSYMTR-10	CTN: SYM OVL-STR-SIDE FRAME COMP
1	CVSYMVS54-08	CTN: SYM 54" OVL-STR-SIDE FRAME COMP
2	CVUCGMOM-0404	CTN: UNIV OVL-STR-SIDE FRAME COMP
1	CXSYM1833-RARRH2	CTN: SYM 1833 MIXED CRV/STR COMP
1	*** WALL ***	Wall - Depth: 54" Size: 18 x 33 Ft

10/1/2021

**Content Sheet**

**CRSYM18TR-12 -- CTN: SYM 18 CRV-SIDE FRAME COMP**

Pic#			DESCRIPTION
	1	22-10074	HDW SS #10X1 PHILHX WSHR SCREW 99-0070 QTY-48
6	12	22771	TR SAND RESIN 18' 51 13/16" IND/HER
Packaging			
	1	97-1355B	CARTON-EMPTY [2X] ID 58-5/16X20X5-5/8 ETC48 BOT
	1	97-1355T	CARTON-EMPTY [2X] ID 58-5/16X21-1/2X5-3/4 ETC48 TOP

**NOTICE:** Please make sure you save this document with your original pool purchase records. It contains vital information to assist us in identifying your pool should you ever need assistance.

**Content Sheet**

**CRSYMUS54-14 -- CTN: SYM 54" CRV-SIDE FRAME COMP**

Pic #			DESCRIPTION
5	14	22045	UR 6" MOCHA 53-5/8" MEL [H2]
Packaging			
1		97-1351B	CARTON-EMPTY [4X] ID 58-1/16X8-3/4X5-5/8 ETC48 BOT
1		97-1351T	CARTON-EMPTY [4X] ID 58-5/16X10-1/4X5-3/4 ETC48 TOP

**NOTICE:** Please make sure you save this document with your original pool purchase records. It contains vital information to assist us in identifying your pool should you ever need assistance.



**Content Sheet**

**CVSTRAP18-12 -- CTN: UNIV OVL-STR-SIDE FRAME COMP**

Pic #			DESCRIPTION
18	8	16539	STRAP OVER CHANNEL 2" TALL X 52 3/8"
17	8	16542	CONNECTOR BTM RAIL 1" STR SIDE STEEL
22	12	16726	STRAP SECTION 52 11/16"(FOR 18')
23	8	22726	OVAL CHANNEL END CAP
<b>Packaging</b>			
1	97-1351B	CARTON-EMPTY [4X] ID 58-1/16X8-3/4X5-5/8 ETC48 BOT	
1	97-1351T	CARTON-EMPTY [4X] ID 58-5/16X10-1/4X5-3/4 ETC48 TOP	

**NOTICE:** Please make sure you save this document with your original pool purchase records. It contains vital information to assist us in identifying your pool should you ever need assistance.

**Content Sheet**

**CVSYMTR-10 -- CTN: SYM OVL-STR-SIDE FRAME COMP**

PK #			DESCRIPTION
21	8	16549	PRESSURE PLATE (44")
	1	22-10090	HDW SS #10X1 PHILHX WSHR SCREW 99-0070 QTY-40
6	10	22775	TR SAND RESIN STR SIDE 41 1/8" IND/HER
Packaging			
	1	97-1355B	CARTON-EMPTY [2X] ID 58-5/16X20X5-5/8 ETC48 BOT
	1	97-1355T	CARTON-EMPTY [2X] ID 58-5/16X21-1/2X5-3/4 ETC48 TOP

**NOTICE:** Please make sure you save this document with your original pool purchase records. It contains vital information to assist us in identifying your pool should you ever need assistance.

**Content Sheet**

**CVSYMVS54-08 -- CTN: SYM 54" OVL-STR-SIDE FRAME COMP**

Pic #			DESCRIPTION
24	8	29917	OVAL CHANNEL FOAM BLOCK 2 X 4 X 4 1/8
14	8	38838	WRAP UR OVAL MOCHA METALLIC 54" (55" OVERALL LENGTH)
<b>Packaging</b>			
1	97-1355B		CARTON-EMPTY [2X] ID 58-5/16X20X5-5/8 ETC48 BOT
1	97-1355T		CARTON-EMPTY [2X] ID 58-5/16X21-1/2X5-3/4 ETC48 TOP

**NOTICE:** Please make sure you save this document with your original pool purchase records. It contains vital information to assist us in identifying your pool should you ever need assistance.

**Content Sheet**

QTY-2

**CVUCGMOM-0404 -- CTN: UNIV OVL-STR-SIDE FRAME COMP**

Pic#			DESCRIPTION
14	4	15933	UNDER CHANNEL YARDMORE 45 9/16"
	1	22-16720	HDW SS BASE PACK YM(4 UPRIGHTS)
15	4	38562	YARDMORE GUSSET LEFT MOCHA METALLIC
16	4	38563	YARDMORE GUSSET RIGHT MOCHA METALLIC
<b>Packaging</b>			
	1	97-1353B	CARTON-EMPTY [3X] ID 58-1/16X12-1/2X5-5/8 ETC48 BOT
	1	97-1353T	CARTON-EMPTY [3X] ID 58-5/16X14X5-3/4 ETC48 TOP

**NOTICE:** Please make sure you save this document with your original pool purchase records. It contains vital information to assist us in identifying your pool should you ever need assistance.



**Content Sheet**

**CXSYM1833-RARRH2 -- CTN: SYM 1833 MIXED CRV/STR COMP**

Pct#			DESCRIPTION
7	21	10296	PLASTIC COPING SINGLE 48" FOR METAL STAB
1	12	10308	INR STAB SQ ALUM 9'0"R 54-1/8" BLACK
2	6	12327	BTM RAIL (LX) PRL RESIN 9'0" R 37-1/2" STR LIGHT BLUE
2	4	12328	BTM RAIL (LX) PRL RESIN 9'0" R 39" CRNR FLUO ORANGE
2	12	12331	BTM RAIL (LX) PRL RESIN 9'0" R 50" BLACK
1	6	16545	RIM 5/8" SQ ALM 9'0"R 33" BLACK
1	8	16546	RIM 5/8" SQ ALM 9'0"R 8" BLACK
1	4	16547	RIM 5/8" SQ ALM 9'0"R 37" BLACK
10	14	22047	TC 7" CHOCOLATE OUTER HALF CVD [H2]
10	8	22048	TC 7" CHOCOLATE OUTER HALF STR [H2]
9	22	22049	TC 7" CHOCOLATE INNER HALF [H2]
8	14	22050	TC 7" CHOCOLATE BOOT [H2]
	1	36878	BACKYARD LEISURE CONSUMER DVD
13	14	38908	TOP PLATE 6" RESIN
3	8	38911	TOP PLATE OVAL RESIN
	1	44-10027	HARDWARE POOL KIT ZY OVAL 27
	1	920045	BACKYARD LEISURE WARRANTY TERMS & CONDITIONS
	1	95-0007	ENVELOPES SAFETY COMPLETE

Packaging		
1	97-1357B	CARTON-EMPTY [2XT] ID 58-5/16X20X9-5/8 ETC48 BOT
1	97-1357T	CARTON-EMPTY [2XT] ID 58-5/16X21-1/2X9-3/4 ETC48 TOP

**NOTICE:** Please make sure you save this document with your original pool purchase records. It contains vital information to assist us in identifying your pool should you ever need assistance.