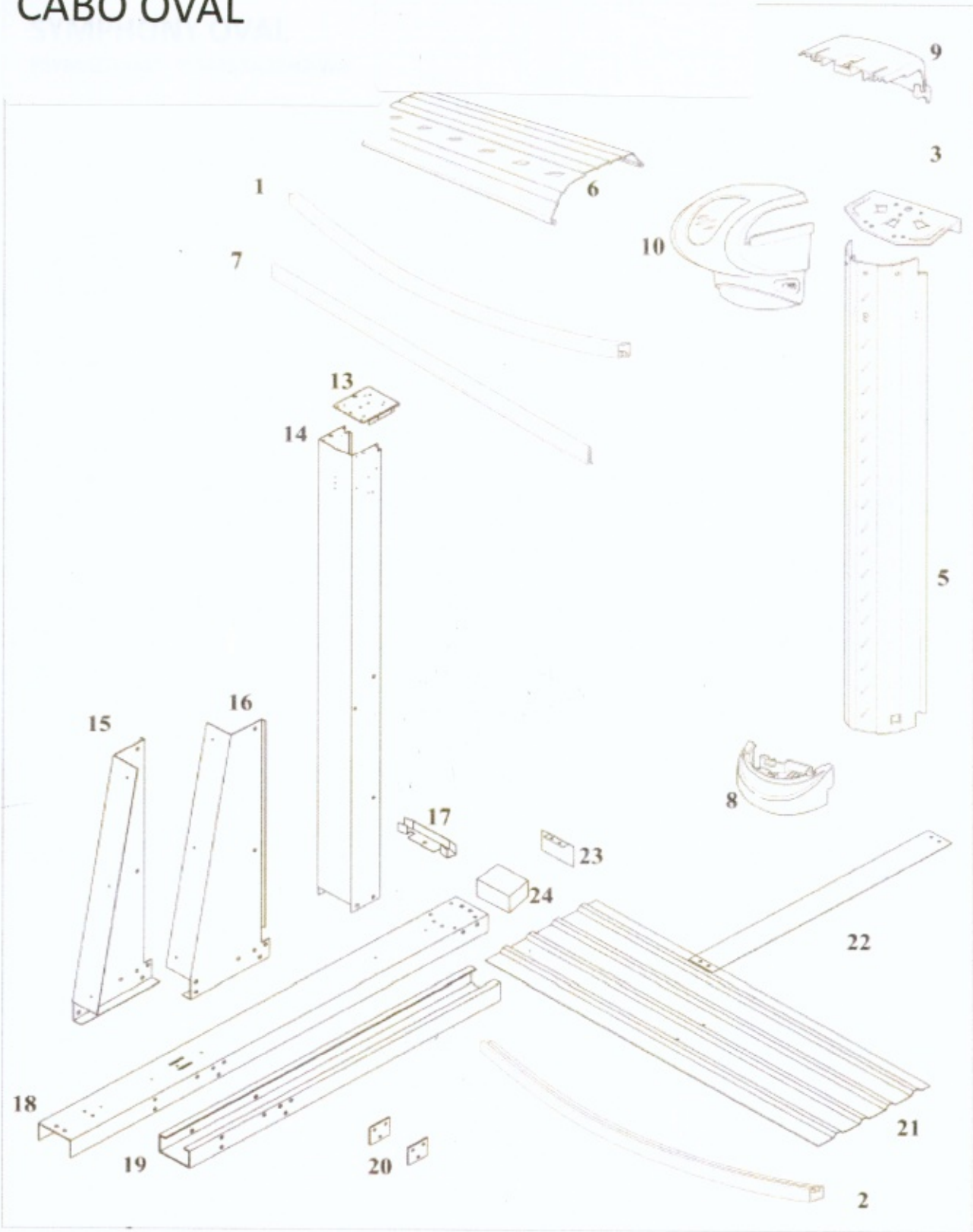


# CABO OVAL



# WBI Pool Breakout

**PSYM-YM214354RSRARRH2**

SYMPHONY OVAL 21 x 43 Ft YARD MORE 2143-54 RSRARRH2

**Features:** OVAL  
 Size: 21 x 43 Ft  
 Depth: 54

9.80

**Structure Composition**

RESIN - SAND Top Ledges  
 STEEL - MOCHA METALLIC Uprights  
 RESIN Bottom Rails  
 ALUMINUM Stabilizers  
 RESIN Bottom Plates  
 RESIN Top Plates

*Note: Double click on carton product search key to see content sheet*

Qty	Carton Part #	Carton Content Description
1	CRSYM21TR-14	CTN: SYM 21 CRV-SIDE FRAME COMP
1	CRSYMUS54-12	CTN: SYM 54" CRV-SIDE FRAME COMP
1	CVSTRAP21-12	CTN: UNIV OVL-STR-SIDE FRAME COMP
1	CVSTRAP21-16	CTN: UNIV OVL-STR-SIDE FRAME COMP
1	CVSYMTR-04	CTN: SYM OVL-STR-SIDE FRAME COMP
1	CVSYMTR-08	CTN: SYM OVL-STR-SIDE FRAME COMP
1	CVSYMVS54-14	CTN: SYM 54" OVL-STR-SIDE FRAME COMP
1	CVUCGMOM-0202	CTN: UNIV OVL-STR-SIDE FRAME COMP
3	CVUCGMOM-0404	CTN: UNIV OVL-STR-SIDE FRAME COMP
1	CXSYM2143-RARRH2	CTN: SYM 2143 MIXED CRV/STR COMP
1	*** WALL ***	Wall - Depth: 54" Size: 21 x 43 Ft

9/14/2023

**Content Sheet**

**CRSYM21TR-14 -- CTN: SYM 21 CRV-SIDE FRAME COMP**

Pic #			DESCRIPTION
	1	22-10091	HDW SS #10X1 PHILHX WSHR SCREW 99-0070 QTY-56
6	14	22774	TR SAND RESIN CMN 56 3/16" IND/HER
<b>Packaging</b>			
	1	97-1355B	CARTON-EMPTY [2X] ID 58-5/16X20X5-5/8 ETC48 BOT
	1	97-1355T	CARTON-EMPTY [2X] ID 58-5/16X21-1/2X5-3/4 ETC48 TOP

**NOTICE:** Please make sure you save this document with your original pool purchase records. It contains vital information to assist us in identifying your pool should you ever need assistance.

**Content Sheet**

**CRSYMUS54-12 -- CTN: SYM 54" CRV-SIDE FRAME COMP**

Pic #			DESCRIPTION
5	12	22045	UR 6" MOCHA 53-5/8" MEL [H2]
<b>Packaging</b>			
	1	97-1351B	CARTON-EMPTY [4X] ID 58-1/16X8-3/4X5-5/8 ETC48 BOT
	1	97-1351T	CARTON-EMPTY [4X] ID 58-5/16X10-1/4X5-3/4 ETC48 TOP

---

**NOTICE:** Please make sure you save this document with your original pool purchase records. It contains vital information to assist us in identifying your pool should you ever need assistance.

**Content Sheet**

**CVSTRAP21-12 -- CTN: UNIV OVL-STR-SIDE FRAME COMP**

Pict#			DESCRIPTION
18	6	16539	STRAP OVER CHANNEL 2" TALL X 52 3/8"
17	6	16542	CONNECTOR BTM RAIL 1" STR SIDE STEEL
21	4	16549	PRESSURE PLATE (44")
22	12	22126	STRAP SECTION 48.984" (FOR 21')
23	6	22726	OVAL CHANNEL END CAP

**Packaging**

1	97-1355B	CARTON-EMPTY [2X] ID 58-5/16X20X5-5/8 ETC48 BOT
1	97-1355T	CARTON-EMPTY [2X] ID 58-5/16X21-1/2X5-3/4 ETC48 TOP

**NOTICE:** Please make sure you save this document with your original pool purchase records. It contains vital information to assist us in identifying your pool should you ever need assistance.

**Content Sheet**

**CVSTRAP21-16 -- CTN: UNIV OVL-STR-SIDE FRAME COMP**

Pic #			DESCRIPTION
18	8	16539	STRAP OVER CHANNEL 2" TALL X 52 3/8"
17	8	16542	CONNECTOR BTM RAIL 1" STR SIDE STEEL
22	16	22126	STRAP SECTION 48.984" (FOR 21')
23	8	22726	OVAL CHANNEL END CAP
<b>Packaging</b>			
1	97-1351B	CARTON-EMPTY [4X] ID 58-1/16X8-3/4X5-5/8 ETC48 BOT	
1	97-1351T	CARTON-EMPTY [4X] ID 58-5/16X10-1/4X5-3/4 ETC48 TOP	

**NOTICE:** Please make sure you save this document with your original pool purchase records. It contains vital information to assist us in identifying your pool should you ever need assistance.

**Content Sheet**

**CVSYMTR-04 -- CTN: SYM OVL-STR-SIDE FRAME COMP**

Pic#			DESCRIPTION
21	4	16549	PRESSURE PLATE (44")
	1	22-10072	HDW SS #10X1 PHILHX WSHR SCREW 99-0070 QTY-24
6	4	22775	TR SAND RESIN STR SIDE 41 1/8" IND/HER
Packaging			
	1	97-1355B	CARTON-EMPTY [2X] ID 58-5/16X20X5-5/8 ETC48 BOT
	1	97-1355T	CARTON-EMPTY [2X] ID 58-5/16X21-1/2X5-3/4 ETC48 TOP

**NOTICE:** Please make sure you save this document with your original pool purchase records. It contains vital information to assist us in identifying your pool should you ever need assistance.

**Content Sheet**

**CVSYMTR-08 -- CTN: SYM OVL-STR-SIDE FRAME COMP**

Pic#			DESCRIPTION
21	6	16549	PRESSURE PLATE (44")
	1	22-10073	HDW SS #10X1 PHILHX WSHR SCREW 99-0070 QTY-32
6	8	22775	TR SAND RESIN STR SIDE 41 1/8" IND/HER
<b>Packaging</b>			
	1	97-1355B	CARTON-EMPTY [2X] ID 58-5/16X20X5-5/8 ETC48 BOT
	1	97-1355T	CARTON-EMPTY [2X] ID 58-5/16X21-1/2X5-3/4 ETC48 TOP

**NOTICE:** Please make sure you save this document with your original pool purchase records. It contains vital information to assist us in identifying your pool should you ever need assistance.



**Content Sheet**

**CVSYMVS54-14 -- CTN: SYM 54" OVL-STR-SIDE FRAME COMP**

Pic#			DESCRIPTION
24	14	29917	OVAL CHANNEL FOAM BLOCK 2 X 4 X 4 1/8
14	14	38838	WRAP UR OVAL MOCHA METALLIC 54" (55" OVERALL LENGTH)
<b>Packaging</b>			
1	97-1357B		CARTON-EMPTY [2XT] ID 58-5/16X20X9-5/8 ETC48 BOT
1	97-1357T		CARTON-EMPTY [2XT] ID 58-5/16X21-1/2X9-3/4 ETC48 TOP

**NOTICE:** Please make sure you save this document with your original pool purchase records. It contains vital information to assist us in identifying your pool should you ever need assistance.

**Content Sheet**

**CVUCGMOM-0202 -- CTN: UNIV OVL-STR-SIDE FRAME COMP**

Pic #			DESCRIPTION
19	2	15933	UNDER CHANNEL YARDMORE 45 9/16"
	1	22-16722	HDW SS ADD PACK YM (2 UPRIGHT)
15	2	38562	YARDMORE GUSSET LEFT MOCHA METALLIC
16	2	38563	YARDMORE GUSSET RIGHT MOCHA METALLIC
<b>Packaging</b>			
	1	97-1353B	CARTON-EMPTY [3X] ID 58-1/16X12-1/2X5-5/8 ETC48 BOT
	1	97-1353T	CARTON-EMPTY [3X] ID 58-5/16X14X5-3/4 ETC48 TOP

**NOTICE:** Please make sure you save this document with your original pool purchase records. It contains vital information to assist us in identifying your pool should you ever need assistance.

**Content Sheet**

QTY - 3

**CVUCGMOM-0404 -- CTN: UNIV OVL-STR-SIDE FRAME COMP**

Pic#			DESCRIPTION
19	4	15933	UNDER CHANNEL YARDMORE 45 9/16"
	1	22-16720	HDW SS BASE PACK YM(4 UPRIGHTS)
15	4	38562	YARDMORE GUSSET LEFT MOCHA METALLIC
16	4	38563	YARDMORE GUSSET RIGHT MOCHA METALLIC
<b>Packaging</b>			
	1	97-1353B	CARTON-EMPTY [3X] ID 58-1/16X12-1/2X5-5/8 ETC48 BOT
	1	97-1353T	CARTON-EMPTY [3X] ID 58-5/16X14X5-3/4 ETC48 TOP

**NOTICE:** Please make sure you save this document with your original pool purchase records. It contains vital information to assist us in identifying your pool should you ever need assistance.

**Content Sheet**

**CXSYM2143-RARRH2 -- CTN: SYM 2143 MIXED CRV/STR COMP**

Pic#			DESCRIPTION
7	28	10296	PLASTIC COPING SINGLE 48" FOR METAL STAB
2	10	12322	BTM RAIL (LX) PRL RESIN 10'6" R CMN 54-1/4" PLUM
2	12	12327	BTM RAIL (LX) PRL RESIN 9'0" R 37-1/2" STR LIGHT BLUE
2	4	12335	BTM RAIL (LX) PRL RESIN 10'6" R 53-1/2" CRNR PLUM
1	14	12903	INR STAB SQ ALUM 10'6"R 54-7/16" PLUM
1	12	16545	RIM 5/8" SQ ALM 9'0"R 33" BLACK
1	14	16546	RIM 5/8" SQ ALM 9'0"R 8" BLACK
10	12	22047	TC 7" CHOCOLATE OUTER HALF CVD [H2]
10	14	22048	TC 7" CHOCOLATE OUTER HALF STR [H2]
9	26	22049	TC 7" CHOCOLATE INNER HALF [H2]
8	12	22050	TC 7" CHOCOLATE BOOT [H2]
	1	36878	BACKYARD LEISURE CONSUMER DVD
13	14	38908	TOP PLATE 6" RESIN
3	14	38911	TOP PLATE OVAL RESIN
	1	44-10029	HARDWARE POOL KIT ZY OVAL 29
	1	920045	BACKYARD LEISURE WARRANTY TERMS & CONDITIONS
	1	95-0007	ENVELOPES SAFETY COMPLETE
<b>Packaging</b>			
1	97-1357B		CARTON-EMPTY [2XT] ID 58-5/16X20X9-5/8 ETC48 BOT
1	97-1357T		CARTON-EMPTY [2XT] ID 58-5/16X21-1/2X9-3/4 ETC48 TOP

**NOTICE:** Please make sure you save this document with your original pool purchase records. It contains vital information to assist us in identifying your pool should you ever need assistance.