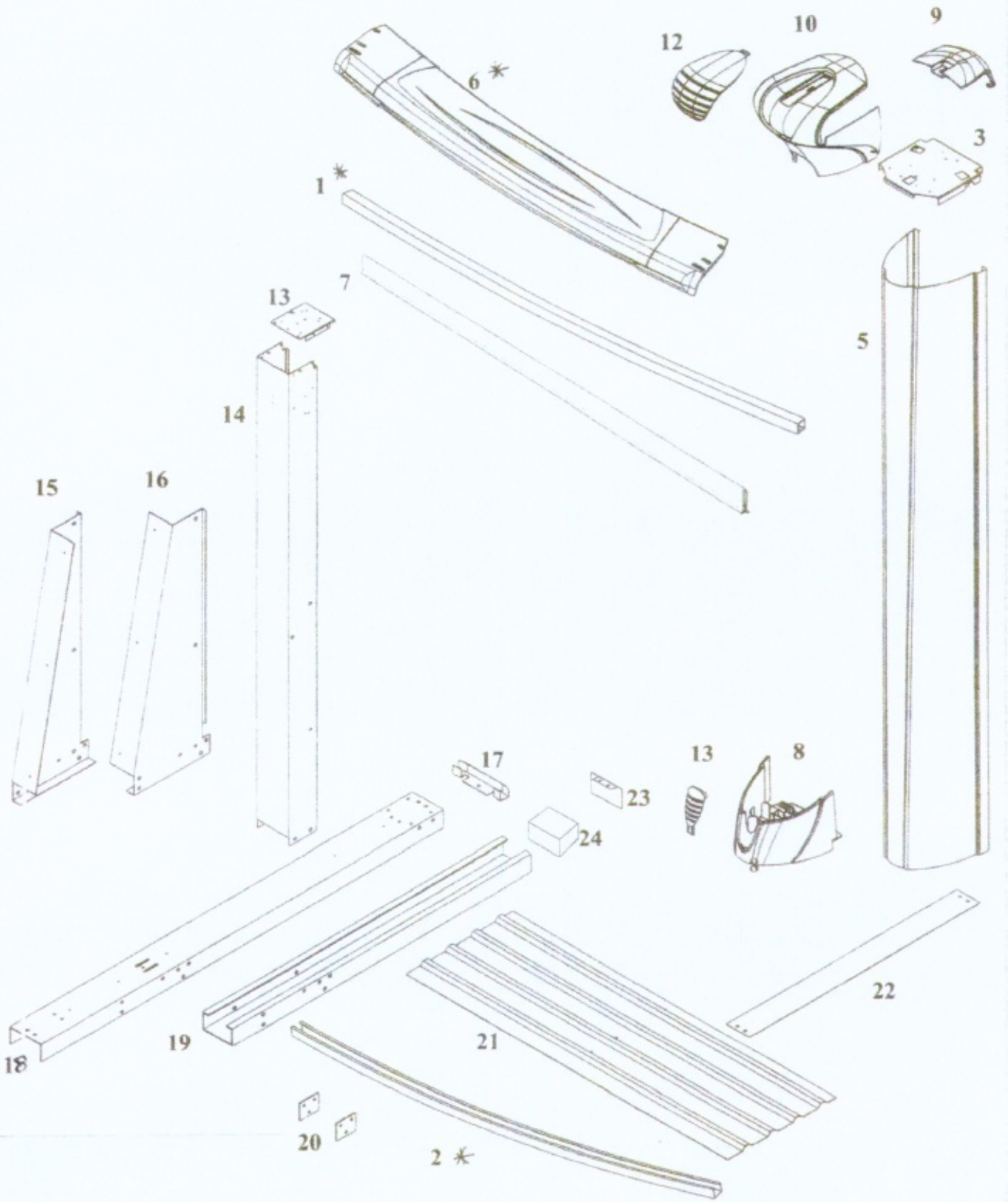


Diamond Star Oval

Saltwater Friendly

*Part #'s 6, 2 and 1 come in different sizes depending on where they are installed. Refer to the parts list



WBI Pool Breakout

PMEA-YM122454RPRRRE1

MEADOWS OVAL 12 x 24 Ft YARD MORE 1224-54 RPRRRE1

Features: OVAL
Size: 12 x 24 Ft
Depth: 54

10.00

Structure Composition

RESIN - PEARL Top Ledges
PAINTED STEEL - DAMASK Uprights
RESIN Bottom Rails
RESIN Stabilizers
RESIN Bottom Plates
STEEL Top Plates

Note: Double click on carton product search key to see content sheet

Qty	Carton Part #	Carton Content Description
1	CRMEA12TR-10	CTN: MEA 12 CRV-SIDE FRAME COMP
1	CRMEAUP54-12	CTN: MEA 54" CRV-SIDE FRAME COMP
1	CVMEATR-08	CTN: MEA OVL-STR-SIDE FRAME COMP
1	CVMEAVP54-06	CTN: MEA 54" OVL-STR-SIDE FRAME COMP
1	CVSTRAP12-06	CTN: UNIV OVL-STR-SIDE FRAME COMP
1	CVUCGDAM-0202	CTN: UNIV OVL-STR-SIDE FRAME COMP
1	CVUCGDAM-0404	CTN: UNIV OVL-STR-SIDE FRAME COMP
1	CXMEA1224-RRRE1	CTN: MEA 1224 MIXED CRV/STR COMP
1	*** WALL ***	Wall - Depth: 54" Size: 12 x 24 Ft

10/4/2022

Content Sheet

CRMEA12TR-10 -- CTN: MEA 12 CRV-SIDE FRAME COMP

Pic #			DESCRIPTION
	1	22-10075	HDW SS #10X1 PHILHX WSHR SCREW 99-0070 QTY-64
	1	22-10129	HDW SS #10X1-1/2 PHIL TRUSS SCREW 99-0088 QTY-20
6	10	28054	TR PEARL RESIN 12' 40 3/32" INFINITY
Packaging			
	1	97-1357B	CARTON-EMPTY [2XT] ID 58-1/16X20X9-5/8 ECT48 BOT
	1	97-1357T	CARTON-EMPTY [2XT] ID 58-5/16X21-1/2X9-3/4 ECT48 TOP
	2	97-1365	CARTON-SCORED SHEET [2XXT] 78-1/2 X19-3/4X13-1/2 ECT48

NOTICE: Please make sure you save this document with your original pool purchase records. It contains vital information to assist us in identifying your pool should you ever need assistance.

Content Sheet

CRMEAUP54-12 -- CTN: MEA 54" CRV-SIDE FRAME COMP

P.C.#			DESCRIPTION
5	12	21411	UR 9" DAMASK 53 13/16" (OCN)
Packaging			
1		97-1357B	CARTON-EMPTY [2XT] ID 58-1/16X20X9-5/8 ECT48 BOT
1		97-1357T	CARTON-EMPTY [2XT] ID 58-5/16X21-1/2X9-3/4 ECT48 TOP

NOTICE: Please make sure you save this document with your original pool purchase records. It contains vital information to assist us in identifying your pool should you ever need assistance.

Content Sheet

CVMEATR-08 -- CTN: MEA OVL-STR-SIDE FRAME COMP

PIC #			DESCRIPTION
21	6	16549	PRESSURE PLATE (44")
	1	22-10074	HDW SS #10X1 PHILHX WSHR SCREW 99-0070 QTY-48
	1	22-10128	HDW SS #10X1-1/2 PHIL TRUSS SCREW 99-0088 QTY-16
6	8	22790	TOP SEAT INFINITY WHEAT (41 1/4")
Packaging			
	1	97-1357B	CARTON-EMPTY [2XT] ID 58-1/16X20X9-5/8 ECT48 BOT
	1	97-1357T	CARTON-EMPTY [2XT] ID 58-5/16X21-1/2X9-3/4 ECT48 TOP

NOTICE: Please make sure you save this document with your original pool purchase records. It contains vital information to assist us in identifying your pool should you ever need assistance.

Content Sheet

CVMEAVP54-06 -- CTN: MEA 54" OVL-STR-SIDE FRAME COMP

Pic #			DESCRIPTION
14	6	22030	WRAP UR OVAL DAMASK KK 54" (55" OVERALL LENGTH) (OCN)
24	6	29917	OVAL CHANNEL FOAM BLOCK 2 X 4 X 4 1/8
Packaging			
	1	97-1353B	CARTON-EMPTY [3X] ID 58-1/16X12-1/2X5-5/8 ECT48 BOT
	1	97-1353T	CARTON-EMPTY [3X] ID 58-5/16X14X5-3/4 ECT48 TOP

NOTICE: Please make sure you save this document with your original pool purchase records. It contains vital information to assist us in identifying your pool should you ever need assistance.

Content Sheet

CVSTRAP12-06 -- CTN: UNIV OVL-STR-SIDE FRAME COMP

<i>Pict#</i>			DESCRIPTION
18	6	16539	STRAP OVER CHANNEL 2" TALL X 52 3/8"
17	6	16542	CONNECTOR BTM RAIL 1" STR SIDE STEEL
22	6	16724	STRAP SECTION 41 11/16"(FOR 12')
23	6	22726	OVAL CHANNEL END CAP
Packaging			
1	97-1351B		CARTON-EMPTY [4X] ID 58-1/16X8-3/4X5-5/8 ECT48 BOT
1	97-1351T		CARTON-EMPTY [4X] ID 58-5/16X10-1/4X5-3/4 ECT48 TOP

NOTICE: Please make sure you save this document with your original pool purchase records. It contains vital information to assist us in identifying your pool should you ever need assistance.

Content Sheet

CVUCGDAM-0202 -- CTN: UNIV OVL-STR-SIDE FRAME COMP

Pic#				DESCRIPTION
19		2	15933	UNDER CHANNEL YARDMORE 45 9/16"
		1	22-16722	HDW SS ADD PACK YM (2 UPRIGHT)
15		2	29913	YARDMORE GUSSET LEFT DAMASK (OCE)
16		2	29914	YARDMORE GUSSET RIGHT DAMASK (OCE)
Packaging				
		1	97-1353B	CARTON-EMPTY [3X] ID 58-1/16X12-1/2X5-5/8 ECT48 BOT
		1	97-1353T	CARTON-EMPTY [3X] ID 58-5/16X14X5-3/4 ECT48 TOP

NOTICE: Please make sure you save this document with your original pool purchase records. It contains vital information to assist us in identifying your pool should you ever need assistance.

Content Sheet

CVUCGDAM-0404 -- CTN: UNIV OVL-STR-SIDE FRAME COMP

Pic #			DESCRIPTION
19	4	15933	UNDER CHANNEL YARDMORE 45 9/16"
	1	22-16720	HDW SS BASE PACK YM (4 UPRIGHTS)
15	4	29913	YARDMORE GUSSET LEFT DAMASK (OCE)
16	4	29914	YARDMORE GUSSET RIGHT DAMASK (OCE)
Packaging			
	1	97-1353B	CARTON-EMPTY [3X] ID 58-1/16X12-1/2X5-5/8 ECT48 BOT
	1	97-1353T	CARTON-EMPTY [3X] ID 58-5/16X14X5-3/4 ECT48 TOP

NOTICE: Please make sure you save this document with your original pool purchase records. It contains vital information to assist us in identifying your pool should you ever need assistance.

Content Sheet

CXMEA1224-RRRE1 -- CTN: MEA 1224 MIXED CRV/STR COMP

Pic #			DESCRIPTION
13	6	10136	TOP PLATE 4" OVAL
7	16	10296	PLASTIC COPING SINGLE 48" FOR METAL STAB
2	4	12327	BTM RAIL (LX) PRL RESIN 9'0" R 37-1/2" STR LIGHT BLUE
2	4	12328	BTM RAIL (LX) PRL RESIN 9'0" R 39" CRNR FLUO ORANGE
10	12	21378	TC 10" DAMASK OUTER HALF CVD [E1]
10	6	21379	TC 10" DAMASK OUTER HALF STR [E1]
9	18	21380	TC 10" DAMASK INNER HALF [E1]
8	12	21381	TC 10" DAMASK BOOT CVD [E1]
3	18	21564	TOP PLATE 9" OCEANIC
1	12	29931	INR STAB SQ RESIN CONNECTOR 5 1/2"
1	6	29934	RIM 5/8" SQ RSN 9'0"R 8" BLACK
1	4	29935	RIM 5/8" SQ RSN 9'0"R 33" BLACK
1	4	29936	RIM 5/8" SQ RSN 9'0"R 37" BLACK
1	10	33129	RIM 5/8" SQ RSN 6'0"R 40-1/4" DK GRAY
	1	36879	SHARKLINE CONSUMER DVD
12	18	38105	TC 10" TAN CAP INSERT [E1]
13	12	38106	TC 10" TAN BOOT INSERT [E1]
2	10	38991	BTM RAIL (LX) PRL RESIN 5'6" R 38" YELLOW
	1	44-10305	HARDWARE POOL KIT SS OVAL 305
	1	910029	SHARKLINE WARRANTY TERMS & CONDITIONS
	1	95-0007	ENVELOPES SAFETY COMPLETE
Packaging			
1	97-1357B	CARTON-EMPTY [2XT] ID 58-1/16X20X9-5/8 ECT48 BOT	
1	97-1357T	CARTON-EMPTY [2XT] ID 58-5/16X21-1/2X9-3/4 ECT48 TOP	
2	97-1365	CARTON-SCORED SHEET [2XXT] 78-1/2 X19-3/4X13-1/2 ECT48	

NOTICE: Please make sure you save this document with your original pool purchase records. It contains vital information to assist us in identifying your pool should you ever need assistance.