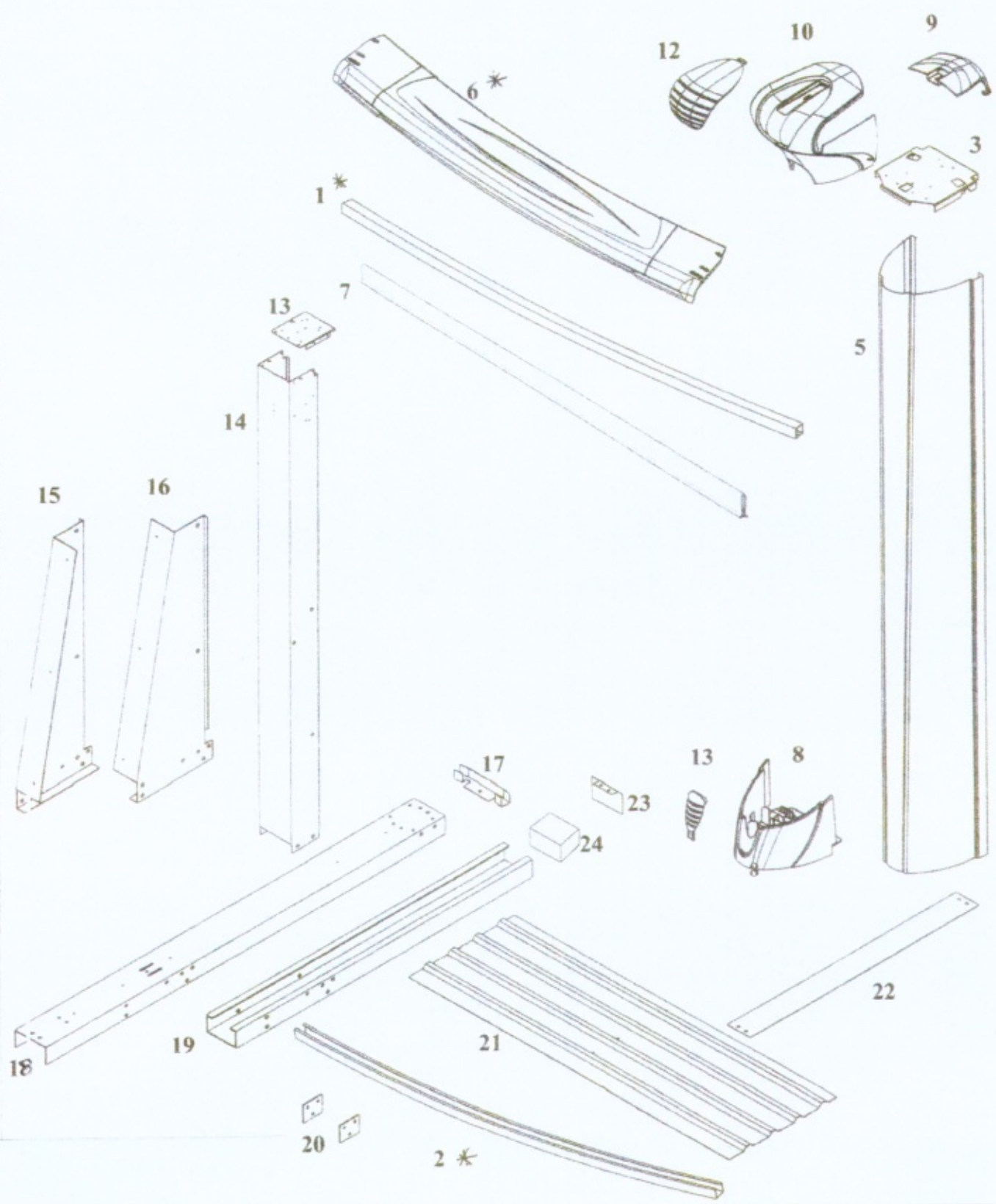


# Diamond Star Oval

## Saltwater Friendly

\*Part #'s 6, 2 and 1 come in different sizes depending on where they are installed. Refer to the parts list



# WBI Pool Breakout

**PMEA-YM214354RPRRE1**

MEADOWS OVAL 21 x 43 Ft YARD MORE 2143-54 RPRRE1

**Features:** OVAL  
Size: 21 x 43 Ft  
Depth: 54

10.00

**Structure Composition**

RESIN - PEARL Top Ledges  
PAINTED STEEL - DAMASK Uprights  
RESIN Bottom Rails  
RESIN Stabilizers  
RESIN Bottom Plates  
STEEL Top Plates

**Note:** Double click on carton product search key to see content sheet

Qty	Carton Part #	Carton Content Description
1	CRMEA21TR-14R	CTN: MEA 21 CRV-SIDE FRAME COMP
1	CRMEAUP54-12	CTN: MEA 54" CRV-SIDE FRAME COMP
1	CVMEATR-04	CTN: MEA OVL-STR-SIDE FRAME COMP
1	CVMEATR-08	CTN: MEA OVL-STR-SIDE FRAME COMP
1	CVMEAVP54-14	CTN: MEA 54" OVL-STR-SIDE FRAME COMP
1	CVSTRAP21-12	CTN: UNIV OVL-STR-SIDE FRAME COMP
1	CVSTRAP21-16	CTN: UNIV OVL-STR-SIDE FRAME COMP
1	CVUCGDAM-0202	CTN: UNIV OVL-STR-SIDE FRAME COMP
3	CVUCGDAM-0404	CTN: UNIV OVL-STR-SIDE FRAME COMP
1	CXMEA2143-RRRE1	CTN: MEA 2143 MIXED CRV/STR COMP
1	*** WALL ***	Wall - Depth: 54" Size: 21 x 43 Ft

10/4/2022

**Content Sheet**

**CRMEA21TR-14R -- CTN: MEA 21 CRV-SIDE FRAME COMP**

Pic #			DESCRIPTION
	1	22-10098	HDW SS #10X1 PHILHX WSHR SCREW 99-0070 QTY-88
	1	22-10133	HDW SS #10X1-1/2 PHIL TRUSS SCREW 99-0088 QTY-28
6	14	22789	TR PEARL RESIN CMN 56" INFINITY
<b>Packaging</b>			
	2	97-1357B	CARTON-EMPTY [2XT] ID 58-1/16X20X9-5/8 ECT48 BOT
	2	97-1357T	CARTON-EMPTY [2XT] ID 58-5/16X21-1/2X9-3/4 ECT48 TOP
	2	97-1365	CARTON-SCORED SHEET [2XXT] 78-1/2 X19-3/4X13-1/2 ECT48

**NOTICE:** Please make sure you save this document with your original pool purchase records. It contains vital information to assist us in identifying your pool should you ever need assistance.

**Content Sheet**

**CRMEAUP54-12 -- CTN: MEA 54" CRV-SIDE FRAME COMP**

Pc#			DESCRIPTION
5	12	21411	UR 9" DAMASK 53 13/16" (OCN)
Packaging			
	1	97-1357B	CARTON-EMPTY [2XT] ID 58-1/16X20X9-5/8 ECT48 BOT
	1	97-1357T	CARTON-EMPTY [2XT] ID 58-5/16X21-1/2X9-3/4 ECT48 TOP

---

**NOTICE:** Please make sure you save this document with your original pool purchase records. It contains vital information to assist us in identifying your pool should you ever need assistance.

**Content Sheet**

**CVMEATR-04 -- CTN: MEA OVL-STR-SIDE FRAME COMP**

Pict			DESCRIPTION
21	4	16549	PRESSURE PLATE (44")
	1	22-10072	HDW SS #10X1 PHILHX WSHR SCREW 99-0070 QTY-24
	1	22-10127	HDW SS #10X1-1/2 PHIL TRUSS SCREW 99-0088 QTY-8
6	4	22790	TOP SEAT INFINITY WHEAT (41 1/4")
<b>Packaging</b>			
	1	97-1355B	CARTON-EMPTY [2X] ID 58-1/16X20X5-5/8 ECT48 BOT
	1	97-1355T	CARTON-EMPTY [2X] ID 58-5/16X21-1/2X5-3/4 ECT48 TOP

**NOTICE:** Please make sure you save this document with your original pool purchase records. It contains vital information to assist us in identifying your pool should you ever need assistance.

**Content Sheet**

**CVMEATR-08 -- CTN: MEA OVL-STR-SIDE FRAME COMP**

Pict#				DESCRIPTION
21		6	16549	PRESSURE PLATE (44")
		1	22-10074	HDW SS #10X1 PHILHX WSHR SCREW 99-0070 QTY-48
		1	22-10128	HDW SS #10X1-1/2 PHIL TRUSS SCREW 99-0088 QTY-16
6		8	22790	TOP SEAT INFINITY WHEAT (41 1/4")
Packaging				
		1	97-1357B	CARTON-EMPTY [2XT] ID 58-1/16X20X9-5/8 ECT48 BOT
		1	97-1357T	CARTON-EMPTY [2XT] ID 58-5/16X21-1/2X9-3/4 ECT48 TOP

**NOTICE:** Please make sure you save this document with your original pool purchase records. It contains vital information to assist us in identifying your pool should you ever need assistance.

**Content Sheet**

CVMEAVP54-14 -- CTN: MEA 54" OVL-STR-SIDE FRAME COMP

Pic#			DESCRIPTION
14	14	22030	WRAP UR OVAL DAMASK KK 54" ( 55" OVERALL LENGTH) (OCN)
24	14	29917	OVAL CHANNEL FOAM BLOCK 2 X 4 X 4 1/8
<b>Packaging</b>			
1		97-1357B	CARTON-EMPTY [2XT] ID 58-1/16X20X9-5/8 ECT48 BOT
1		97-1357T	CARTON-EMPTY [2XT] ID 58-5/16X21-1/2X9-3/4 ECT48 TOP

**NOTICE:** Please make sure you save this document with your original pool purchase records. It contains vital information to assist us in identifying your pool should you ever need assistance.

**Content Sheet**

**CVSTRAP21-12 -- CTN: UNIV OVL-STR-SIDE FRAME COMP**

Pic #			DESCRIPTION
18	6	16539	STRAP OVER CHANNEL 2" TALL X 52 3/8"
17	6	16542	CONNECTOR BTM RAIL 1" STR SIDE STEEL
21	4	16549	PRESSURE PLATE (44")
22	12	22126	STRAP SECTION 48.984" (FOR 21')
23	6	22726	OVAL CHANNEL END CAP
Packaging			
1	97-1355B	CARTON-EMPTY [2X] ID 58-1/16X20X5-5/8 ECT48 BOT	
1	97-1355T	CARTON-EMPTY [2X] ID 58-5/16X21-1/2X5-3/4 ECT48 TOP	

**NOTICE:** Please make sure you save this document with your original pool purchase records. It contains vital information to assist us in identifying your pool should you ever need assistance.



**Content Sheet**

**CVSTRAP21-16 -- CTN: UNIV OVL-STR-SIDE FRAME COMP**

Pic#			DESCRIPTION
18	8	16539	STRAP OVER CHANNEL 2" TALL X 52 3/8"
17	8	16542	CONNECTOR BTM RAIL 1" STR SIDE STEEL
22	16	22126	STRAP SECTION 48.984" (FOR 21')
23	8	22726	OVAL CHANNEL END CAP
<b>Packaging</b>			
1	97-1351B	CARTON-EMPTY [4X] ID 58-1/16X8-3/4X5-5/8 ECT48 BOT	
1	97-1351T	CARTON-EMPTY [4X] ID 58-5/16X10-1/4X5-3/4 ECT48 TOP	

**NOTICE:** Please make sure you save this document with your original pool purchase records. It contains vital information to assist us in identifying your pool should you ever need assistance.

**Content Sheet**

CVUCGDAM-0202 -- CTN: UNIV OVL-STR-SIDE FRAME COMP

Pic#			DESCRIPTION
19	2	15933	UNDER CHANNEL YARDMORE 45 9/16"
	1	22-16722	HDW SS ADD PACK YM (2 UPRIGHT)
15	2	29913	YARDMORE GUSSET LEFT DAMASK (OCE)
16	2	29914	YARDMORE GUSSET RIGHT DAMASK (OCE)
Packaging			
	1	97-1353B	CARTON-EMPTY [3X] ID 58-1/16X12-1/2X5-5/8 ECT48 BOT
	1	97-1353T	CARTON-EMPTY [3X] ID 58-5/16X14X5-3/4 ECT48 TOP

**NOTICE:** Please make sure you save this document with your original pool purchase records. It contains vital information to assist us in identifying your pool should you ever need assistance.

**Content Sheet**

CVUCGDAM-0404 -- CTN: UNIV OVL-STR-SIDE FRAME COMP - QTY-3

Pict#			DESCRIPTION
19	4	15933	UNDER CHANNEL YARDMORE 45 9/16"
	1	22-16720	HDW SS BASE PACK YM (4 UPRIGHTS)
15	4	29913	YARDMORE GUSSET LEFT DAMASK (OCE)
16	4	29914	YARDMORE GUSSET RIGHT DAMASK (OCE)
<b>Packaging</b>			
1		97-1353B	CARTON-EMPTY [3X] ID 58-1/16X12-1/2X5-5/8 ECT48 BOT
1		97-1353T	CARTON-EMPTY [3X] ID 58-5/16X14X5-3/4 ECT48 TOP

NOTICE: Please make sure you save this document with your original pool purchase records. It contains vital information to assist us in identifying your pool should you ever need assistance.

**Content Sheet**

**CXMEA2143-RRRE1 -- CTN: MEA 2143 MIXED CRV/STR COMP**

Pct#			DESCRIPTION
13	14	10136	TOP PLATE 4" OVAL
7	28	10296	PLASTIC COPING SINGLE 48" FOR METAL STAB
2	10	12322	BTM RAIL (LX) PRL RESIN 10'6" R CMN 54-1/4" PLUM
2	12	12327	BTM RAIL (LX) PRL RESIN 9'0" R 37-1/2" STR LIGHT BLUE
2	4	12335	BTM RAIL (LX) PRL RESIN 10'6" R 53-1/2" CRNR PLUM
10	12	21378	TC 10" DAMASK OUTER HALF CVD [E1]
10	14	21379	TC 10" DAMASK OUTER HALF STR [E1]
9	26	21380	TC 10" DAMASK INNER HALF [E1]
8	12	21381	TC 10" DAMASK BOOT CVD [E1]
3	26	21564	TOP PLATE 9" OCEANIC
1	14	29892	RIM 5/8" SQ RSN 12'0"R 56-1/16" DKBLUE
1	12	29931	INR STAB SQ RESIN CONNECTOR 5 1/2"
1	14	29934	RIM 5/8" SQ RSN 9'0"R 8" BLACK
1	12	29935	RIM 5/8" SQ RSN 9'0"R 33" BLACK
	1	36879	SHARKLINE CONSUMER DVD
12	26	38105	TC 10" TAN CAP INSERT [E1]
13	12	38106	TC 10" TAN BOOT INSERT [E1]
	1	44-10308	HARDWARE POOL KIT SS OVAL 308
	1	910029	SHARKLINE WARRANTY TERMS & CONDITIONS
	1	95-0007	ENVELOPES SAFETY COMPLETE

Packaging		
1	97-1357B	CARTON-EMPTY [2XT] ID 58-1/16X20X9-5/8 ECT48 BOT
1	97-1357T	CARTON-EMPTY [2XT] ID 58-5/16X21-1/2X9-3/4 ECT48 TOP
2	97-1366	CARTON-SCORED SHEET [2XXT] 78-1/2 X19-3/4X15-1/2 ECT48

**NOTICE:** Please make sure you save this document with your original pool purchase records. It contains vital information to assist us in identifying your pool should you ever need assistance.