



# POOL BREAKDOWN



## CARMEL BAY 15' x 26' OVAL 52" STEEL TOP RAIL - STEEL VERTICAL

√	QTY	CARTON NUMBER	CARTON DESCRIPTION
	1	5-9965-405	ASSEMBLY PACK CARTON
	1	5-9808-709	TOP RAIL PACK CARTON
	1	5-9880-709	TOP RAIL PACK CARTON
	1	5-9710-741	VERTICAL PACK CARTON
	1	5-XXXX-065	SIDEWALL CARTON
	1	5-9999-1216	TOP CONNECTOR PACK
	1	5-8854-610	SIDE SUPPORT CARTON
	1	0-8888-206	SUPPORT BASE CARTON
	1	5-9110-741	SKIRT PACK CARTON
	1	5-8802-610	SIDE VERTICAL EXT. CARTON
	1	5-8495-233	TENSION STRAP CARTON

IF POOL IS BEING INSTALLED AS A STRAP OVAL, REFER TO THE EXPLODED SIDE VIEW AND INSTRUCTIONS LOCATED IN THE SIDE EXTENSION CARTON AND TENSION STRAP CARTON.

## CARTON BREAKDOWN

√	ITEM	QTY	PART NUMBER	DESCRIPTION
<b>TOP RAIL PACK # 5-9808-709</b>				
	1	8	587-1831	Top Rail
<b>TOP RAIL PACK # 5-9880-709</b>				
	1a	8	587-1832	Top Rail

# CARTON BREAKDOWN

✓	ITEM	QTY	PART NUMBER	DESCRIPTION
<b>TOP CONNECTOR PACK # 5-9999-1216</b>				
	9	16	340-2780	Top connector

<b>SKIRT PACK # 5-9110-741</b>				
	2	10	340-2781	Vertical skirt
	3	20	330-1023	Hex washer head screw #8 x 5/8"
	4	20	330-1127	Sheet metal screw, #10 x 1/2"

<b>ASSEMBLY PACK # 5-9965-405</b>				
	5	12	583-1011	Stabilizer Rail (Large)
	6	9	583-1012	Stabilizer Rail (Small)
	7	20	580-2299	Vertical End Cap
	7a	6	580-2056	Side vertical end cap
	8	16	580-2412	Outer connector bracket
	10	36	545-1001	Plastic coping
	11	8	589-1254	Bottom rail - stamped 15 C
	11a	4	589-1151	Bottom rail - stamped L 15 2
	11b	4	589-1052	Bottom rail - side - stamped S
	16	122	330-1127	Sheet metal screw, #10 x 1/2"
	17	10	510-1038	Machine screw #6-32 x 1/2"
	18	10	321-1088	Hex nut #6-32
	18a	6	510-1008	Slotted pan head machine screw #10-24 - 1/2"
	18b	6	321-1025	Square nut #10-24
	—	1	573-4896	Pool Parts List
	—	1	573-4036	Installation Instructions
	—	1	— — —	Warranty Card
	—	1	573-3169	"Safety First" Booklet

<b>VERTICAL PACK # 5-9710-741</b>				
	19	10	580-2410	Vertical

<b>SIDEWALL CARTON</b>				
	28	1	5-XXXX-065	Sidewall
	29	26	330-1280	1/4-20 x 1/2" Grade 5 Bolt
	30	26	321-1029	1/4-20 Hex Flange Locknut
	31	1	535-1442	Protective Strip
	—	1	560-1055	Warning Sign
	—	1	573-3169	"Safety First" Booklet
	—	1	573-3498	Safety DVD

WRITE SIDEWALL NUMBER HERE \_\_\_\_\_

WRITE SIDEWALL BOX SERIAL NUMBER HERE \_\_\_\_\_

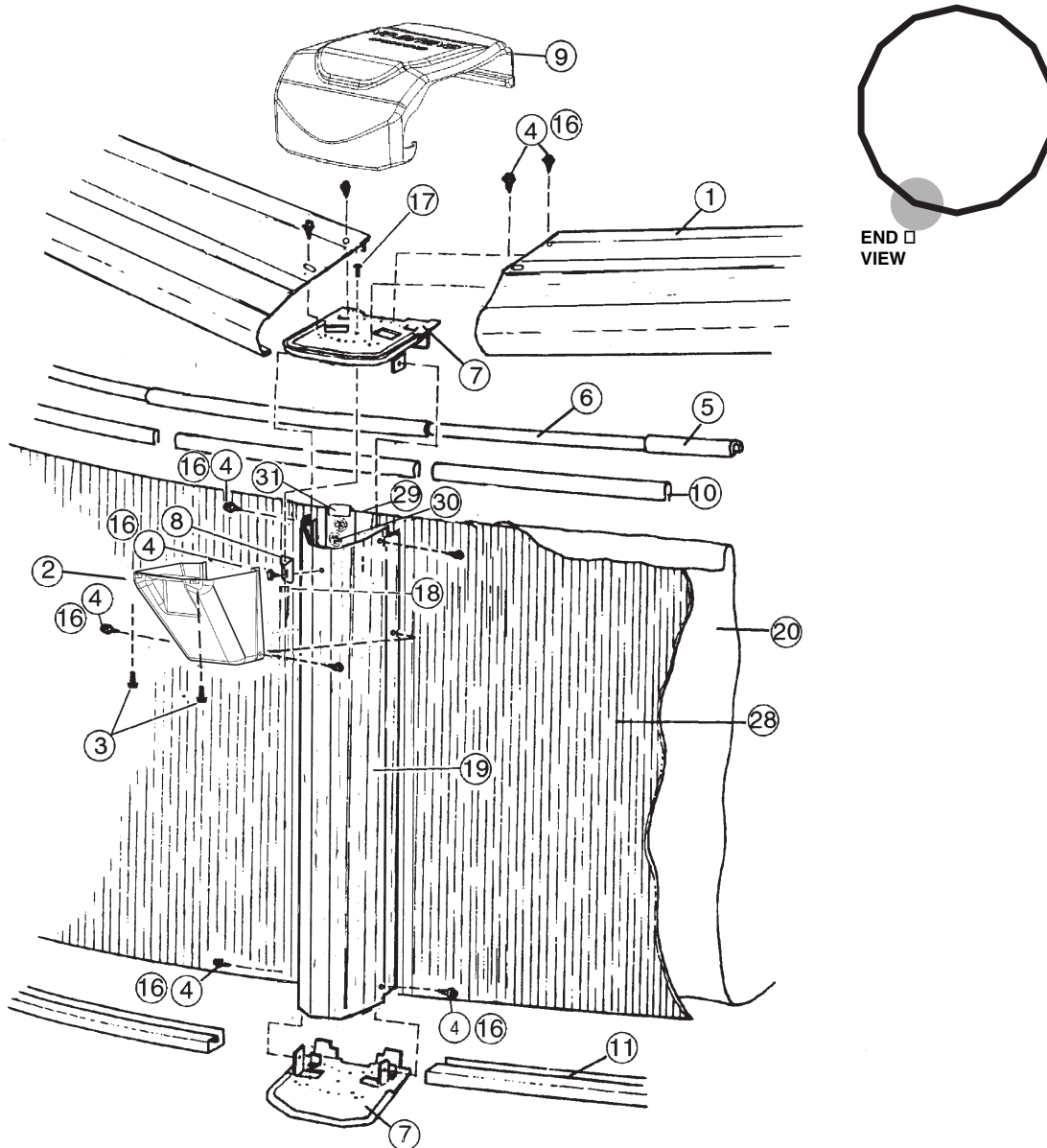
SUPPORT BASE PACK # 0-8888-206

34	6	580-1779	Skid support
35	6	580-2071	Ground support - top
36	6	580-2072	Ground support - bottom
37	6	580-1870	Pressure pad
38	6	580-1869	Pressure pad
39	6	580-1792	Btm rail locator & cover
40	36	510-1035	#12x3/4" hex washer head screw
41	24	330-1220	3/8"-16 x 3-1/2" hex head bolt
42	24	321-1069	3/8-16 hex nut
43	24	510-1018	1/4-20 x 1/2" hex head bolt - grade 5
44	24	511-1000	1/4-20 hex nut
45	36	330-1127	Sheet metal screw, #10 x 1/2"

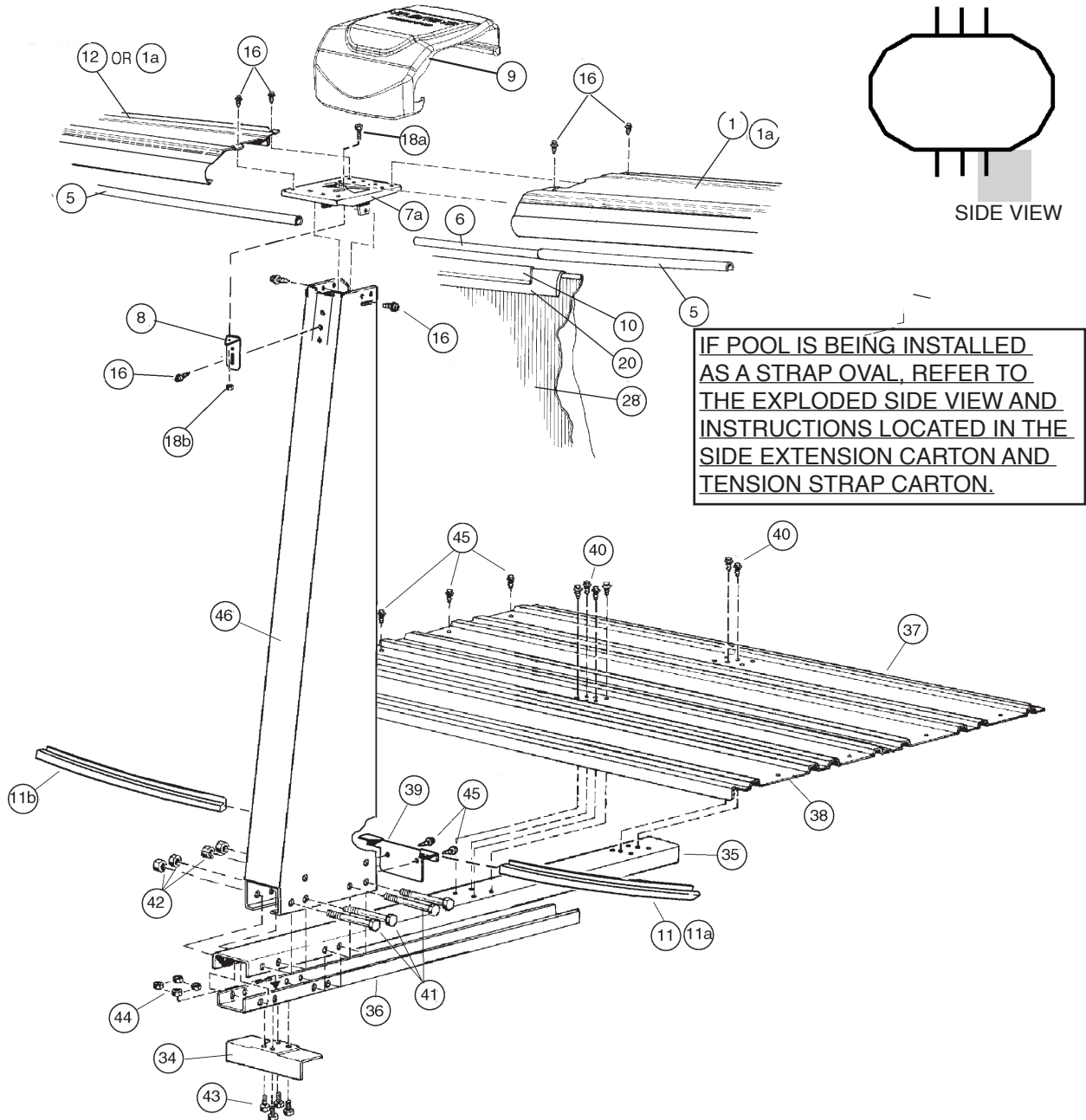
SIDE SUPPORT PACK # 5-8854-610

46	6	580-2420	Side support
----	---	----------	--------------

EXPLODED PARTS VIEW



# EXPLODED PARTS VIEW



**Important!** Above-ground pools are designed for swimming and wading only. Do not Dive or Jump! Misuse of your pool may result in crippling injury and/or other dangers to life and health. Do not use slides, diving boards, or any other platform or object which can be used for improper pool entry. Use only an above-ground swimming pool ladder or entry system to enter or exit your pool. Never attempt to swim or reach behind ladders or any other pool entry system. It is the pool owner's responsibility to secure the pool against unauthorized, unsupervised or unintentional entry. It is also the pool owner's responsibility to warn all pool users of the hazards of diving into shallow water: paralyzing injury may result. Always obey all safety rules. Remember, pool safety is everybody's responsibility.

Safety decals and caution information provided with your pool have been endorsed by the U.S. Consumer Product Safety Commission. It is mandatory that the pool owner and installer follow the installation and use directions for all provided safety signs and decals. Juveniles must be supervised at all times by a responsible adult as directed by the USCPSC.

Change of Design: The manufacturer (HII) expressly reserves the right to change or modify the design and construction of any product in due course of their manufacturing procedures, without incurring any obligation to furnish or install such changes or modifications on products previously or subsequently sold.