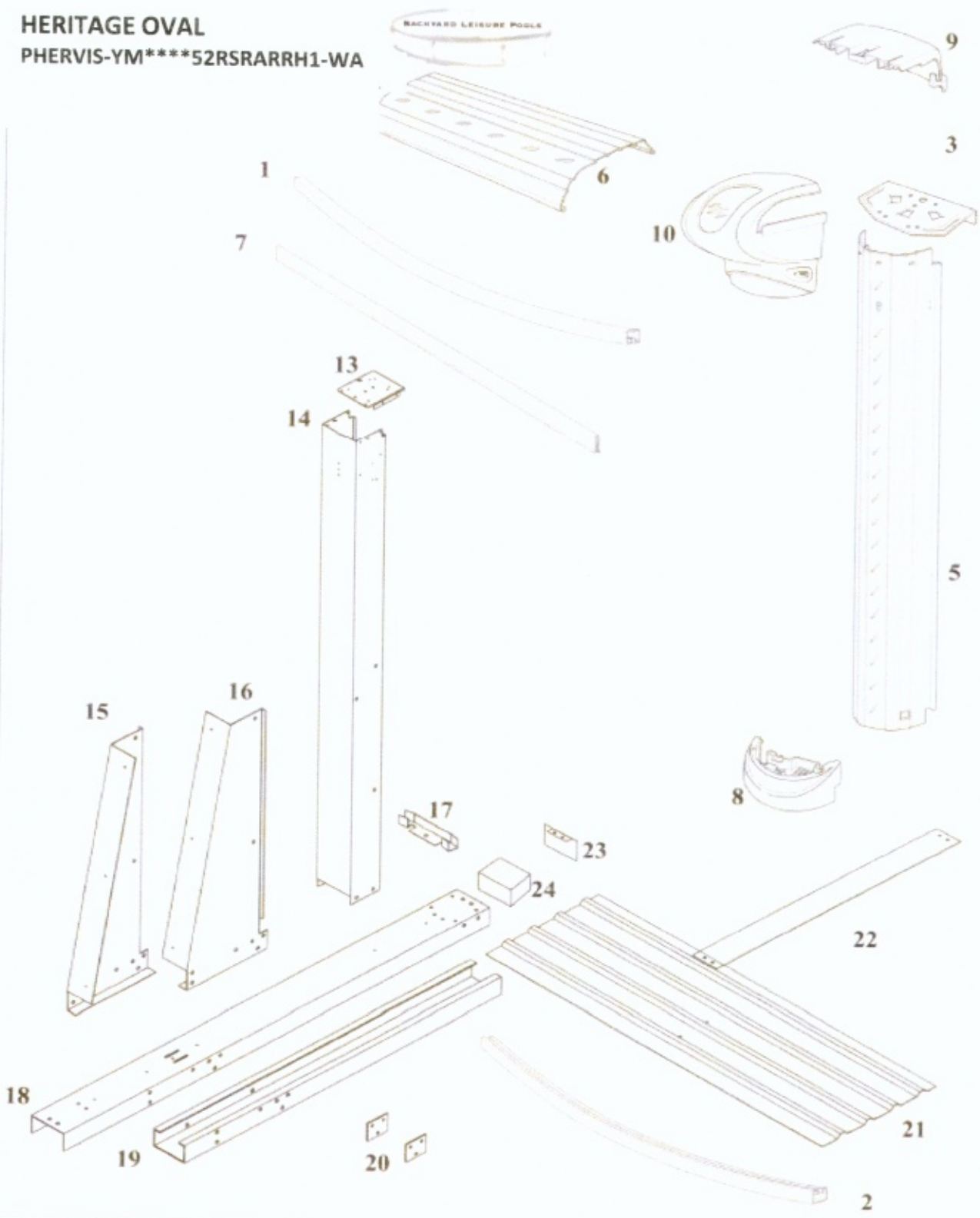


HERITAGE OVAL

PHERVIS-YM****52RSRARRH1-WA

BACHYARD LEISURE POOLS



WBI Pool Breakout

PHER-YM153052RSRARRH1

HERITAGE OVAL 15 x 30 Ft YARD MORE 1530-52 RSRARRH1

Features: OVAL
 Size: 15 x 30 Ft
 Depth: 52

9.80

Structure Composition

7" RESIN - SAND Top Ledges
 STEEL - SAND Uprights
 RESIN Bottom Rails
 ALUMINUM Stabilizers
 RESIN Bottom Plates
 RESIN Top Plates

Note: Double click on carton product search key to see content sheet

Qty	Carton Part #	Carton Content Description
1	CRHER15TR-10	CTN : HER 15 CRV-SIDE FRAME COMP
1	CRHERUS52-12	CTN : HER 52" CRV-SIDE FRAME COMP
1	CVHERTR-10	CTN : HER OVL-STR-SIDE FRAME COMP
1	CVHERVS52-08	CTN : HER 52" OVL-STR-SIDE FRAME COMP
1	CVSTRAP15-12	CTN: UNIV OVL-STR-SIDE FRAME COMP
2	CVUCGIVO-0404	CTN: UNIV OVL-STR-SIDE FRAME COMP
1	CXHER1530-RARRH1	CTN: HER 1530 MIXED CRV/STR COMP
1	*** WALL ***	Wall - Depth: 52" Size: 15 x 30 Ft

9/15/2022

Content Sheet

CRHER15TR-10 -- CTN : HER 15 CRV-SIDE FRAME COMP

<i>Pict</i>			DESCRIPTION
		1	22-10090 HDW SS #10X1 PHILHX WSHR SCREW 99-0070 QTY-40
<i>6</i>		10	22770 TR 7" SAND RESIN 15' 51-1/16" IND/HER
Packaging			
		1	97-1353B CARTON-EMPTY [3X] ID 58-1/16X12-1/2X5-5/8 ECT48 BOT
		1	97-1353T CARTON-EMPTY [3X] ID 58-5/16X14X5-3/4 ECT48 TOP

Content Sheet

CRHERUS52-12 -- CTN : HER 52" CRV-SIDE FRAME COMP

Pic #			DESCRIPTION
5	12	22759	UR 6" SAND TXT 51 5/8" IND/HER
Packaging			
	1	97-1351B	CARTON-EMPTY [4X] ID 58-1/16X8-3/4X5-5/8 ECT48 BOT
	1	97-1351T	CARTON-EMPTY [4X] ID 58-5/16X10-1/4X5-3/4 ECT48 TOP

Content Sheet

CVHERTR-10 -- CTN : HER OVL-STR-SIDE FRAME COMP

<i>Pict</i>			DESCRIPTION
21	8	16549	PRESSURE PLATE (44")
	1	22-10090	HDW SS #10X1 PHILHX WSHR SCREW 99-0070 QTY-40
6	10	22775	TR 7" SAND RESIN STR SIDE 41-1/8" IND/HER
Packaging			
	1	97-1355B	CARTON-EMPTY [2X] ID 58-1/16X20X5-5/8 ECT48 BOT
	1	97-1355T	CARTON-EMPTY [2X] ID 58-5/16X21-1/2X5-3/4 ECT48 TOP

Content Sheet

CVHERVS52-08 -- CTN : HER 52" OVL-STR-SIDE FRAME COMP

Pict				DESCRIPTION
24		8	29917	OVAL CHANNEL FOAM BLOCK 2 X 4 X 4 1/8
14		8	35738	WRAP UR OVAL TPP SAND 52" (53" OVERALL LENGTH)
Packaging				
		1	97-1355B	CARTON-EMPTY [2X] ID 58-1/16X20X5-5/8 ECT48 BOT
		1	97-1355T	CARTON-EMPTY [2X] ID 58-5/16X21-1/2X5-3/4 ECT48 TOP

Content Sheet

CVSTRAP15-12 -- CTN: UNIV OVL-STR-SIDE FRAME COMP

<i>Pic #</i>			DESCRIPTION
18	8	16539	STRAP OVER CHANNEL 2" TALL X 52 3/8"
17	8	16542	CONNECTOR BTM RAIL 1" STR SIDE STEEL
22	12	16725	STRAP SECTION 40 11/16"(FOR 15')
23	8	22726	OVAL CHANNEL END CAP
Packaging			
1	97-1351B		CARTON-EMPTY [4X] ID 58-1/16X8-3/4X5-5/8 ECT48 BOT
1	97-1351T		CARTON-EMPTY [4X] ID 58-5/16X10-1/4X5-3/4 ECT48 TOP

Content Sheet

CVUCGIVO-0404 -- CTN: UNIV OVL-STR-SIDE FRAME COMP

pic #			DESCRIPTION
14	4	15933	UNDER CHANNEL YARDMORE 45 9/16"
	1	22-16720	HDW SS BASE PACK YM(4 UPRIGHTS)
15	4	35740	YARDMORE GUSSET LEFT TPP SAND (STEEL)
16	4	35741	YARDMORE GUSSET RIGHT TPP SAND (STEEL)
Packaging			
	1	97-1353B	CARTON-EMPTY [3X] ID 58-1/16X12-1/2X5-5/8 ECT48 BOT
	1	97-1353T	CARTON-EMPTY [3X] ID 58-5/16X14X5-3/4 ECT48 TOP

Content Sheet

CXHER1530-RARRH1 -- CTN: HER 1530 MIXED CRV/STR COMP

<i>PICK</i>			DESCRIPTION
7	19	10296	PLASTIC COPING SINGLE 48" FOR METAL STAB
1	10	10307	INR STAB SQ ALUM 7'6"R 53-1/4" ORANGE
2	10	12311	BTM RAIL (LX) PRL RESIN 7'6" R 49" ORANGE
2	6	12327	BTM RAIL (LX) PRL RESIN 9'0" R 37-1/2" STR LIGHT BLUE
2	4	12328	BTM RAIL (LX) PRL RESIN 9'0" R 39" CRNR FLUO ORANGE
1	6	16545	RIM 5/8" SQ ALM 9'0"R 33" BLACK
1	8	16546	RIM 5/8" SQ ALM 9'0"R 8" BLACK
1	4	16547	RIM 5/8" SQ ALM 9'0"R 37" BLACK
10	12	22732	TC 7" CHAMPAGNE OUTER HALF CVD [H1]
10	8	22733	TC 7" CHAMPAGNE OUTER HALF STR [H1]
9	20	22734	TC 7" CHAMPAGNE INNER HALF [H1]
8	12	22735	TC 7" CHAMPAGNE BOOT [H1]
	1	36878	BACKYARD LEISURE CONSUMER DVD
3	12	38908	TOP PLATE 6" RESIN
13	8	38911	TOP PLATE OVAL RESIN
	1	44-10166	HARDWARE POOL KIT SS OVAL 166
	1	920045	BACKYARD LEISURE WARRANTY TERMS & CONDITIONS
	1	95-0007	ENVELOPES SAFETY COMPLETE
Packaging			
1	97-1357B		CARTON-EMPTY [2XT] ID 58-1/16X20X9-5/8 ECT48 BOT
1	97-1357T		CARTON-EMPTY [2XT] ID 58-5/16X21-1/2X9-3/4 ECT48 TOP