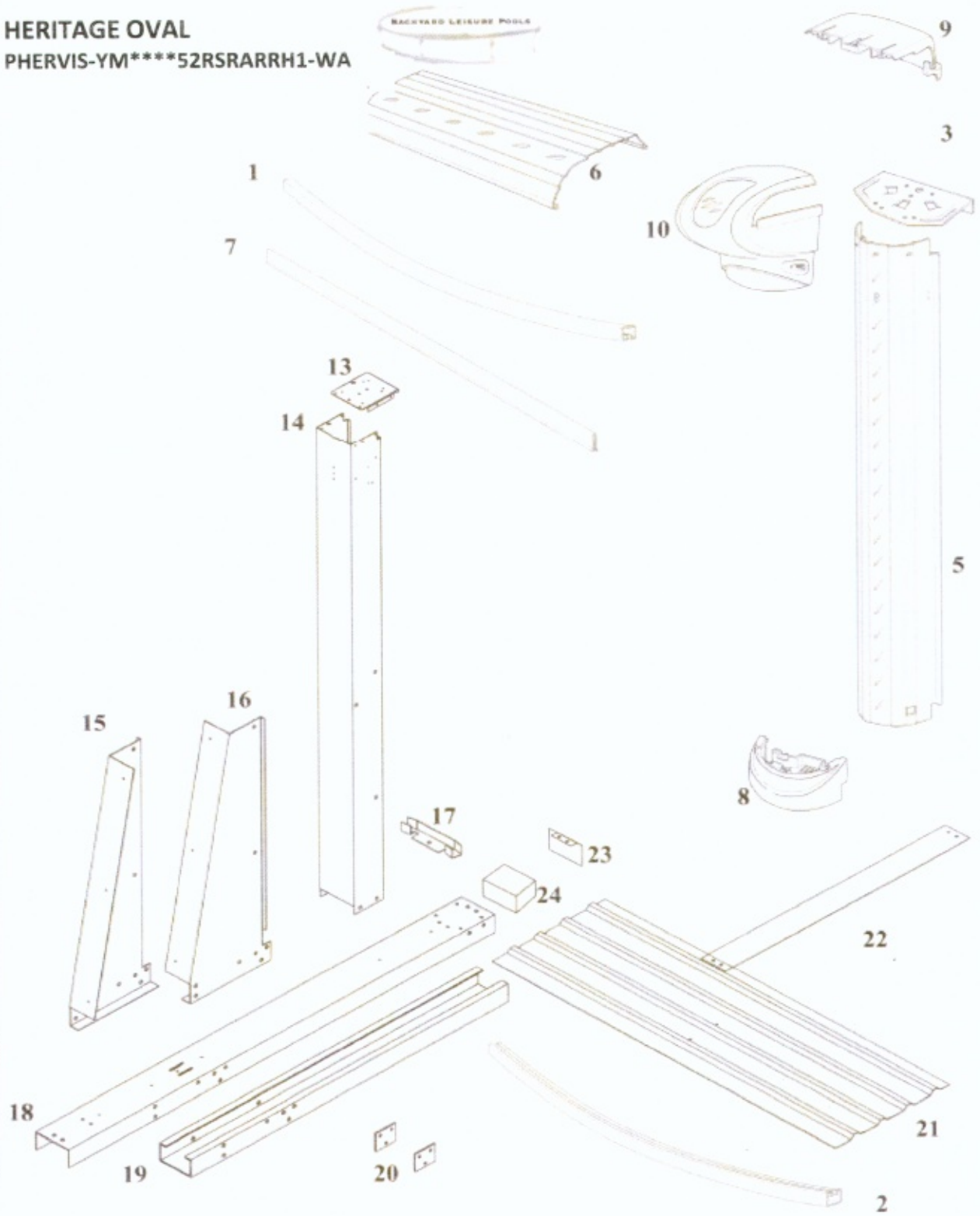


# HERITAGE OVAL

PHERVIS-YM\*\*\*\*52RSRARRH1-WA



# WBI Pool Breakout

**PHER-YM214352RSRARRH1**

HERITAGE OVAL 21 x 43 Ft YARD MORE 2143-52 RSRARRH1

**Features:** OVAL  
 Size: 21 x 43 Ft  
 Depth: 52

9.80

**Structure Composition**

7" RESIN - SAND Top Ledges  
 STEEL - SAND Uprights  
 RESIN Bottom Rails  
 ALUMINUM Stabilizers  
 RESIN Bottom Plates  
 RESIN Top Plates

**Note:** Double click on carton product search key to see content sheet

Qty	Carton Part #	Carton Content Description
1	CRHER21TR-14	CTN: HER 21 CRV-SIDE FRAME COMP
1	CRHERUS52-12	CTN : HER 52" CRV-SIDE FRAME COMP
1	CVHERTR-04	CTN: HER OVL-STR-SIDE FRAME COMP
1	CVHERTR-08	CTN: HER OVL-STR-SIDE FRAME COMP
1	CVHERVS52-14	CTN: HER 52" OVL-STR-SIDE FRAME COMP
1	CVSTRAP21-12	CTN: UNIV OVL-STR-SIDE FRAME COMP
1	CVSTRAP21-16	CTN: UNIV OVL-STR-SIDE FRAME COMP
1	CVUCGIVO-0202	CTN: UNIV OVL-STR-SIDE FRAME COMP
3	CVUCGIVO-0404	CTN: UNIV OVL-STR-SIDE FRAME COMP
1	CXHER2143-RARRH1	CTN: HER 2143 MIXED CRV/STR COMP
1	*** WALL ***	Wall - Depth: 52" Size: 21 x 43 Ft

9/15/2022

**Content Sheet**

**CRHER21TR-14 -- CTN: HER 21 CRV-SIDE FRAME COMP**

Pic#			DESCRIPTION
	1	22-10091	HDW SS #10X1 PHILHX WSHR SCREW 99-0070 QTY-56
6	14	22774	TR 7" SAND RESIN CMN 56-3/16" IND/HER
<b>Packaging</b>			
	1	97-1355B	CARTON-EMPTY [2X] ID 58-1/16X20X5-5/8 ECT48 BOT
	1	97-1355T	CARTON-EMPTY [2X] ID 58-5/16X21-1/2X5-3/4 ECT48 TOP

**Content Sheet**

**CRHERUS52-12 -- CTN : HER 52" CRV-SIDE FRAME COMP**

Pic #			DESCRIPTION
14	12	22759	UR 6" SAND TXT 51 5/8" IND/HER
<b>Packaging</b>			
	1	97-1351B	CARTON-EMPTY [4X] ID 58-1/16X8-3/4X5-5/8 ECT48 BOT
	1	97-1351T	CARTON-EMPTY [4X] ID 58-5/16X10-1/4X5-3/4 ECT48 TOP

**Content Sheet**

**CVHERTR-04 -- CTN: HER OVL-STR-SIDE FRAME COMP**

Pic #			DESCRIPTION
21	4	16549	PRESSURE PLATE (44")
	1	22-10072	HDW SS #10X1 PHILHX WSHR SCREW 99-0070 QTY-24
6	4	22775	TR 7" SAND RESIN STR SIDE 41-1/8" IND/HER
<b>Packaging</b>			
	1	97-1355B	CARTON-EMPTY [2X] ID 58-1/16X20X5-5/8 ECT48 BOT
	1	97-1355T	CARTON-EMPTY [2X] ID 58-5/16X21-1/2X5-3/4 ECT48 TOP

**Content Sheet**

**CVHERTR-08 -- CTN: HER OVL-STR-SIDE FRAME COMP**

<i>pic#</i>				DESCRIPTION
21		6	16549	PRESSURE PLATE (44")
		1	22-10073	HDW SS #10X1 PHILHX WSHR SCREW 99-0070 QTY-32
6		8	22775	TR 7" SAND RESIN STR SIDE 41-1/8" IND/HER
<b>Packaging</b>				
		1	97-1355B	CARTON-EMPTY [2X] ID 58-1/16X20X5-5/8 ECT48 BOT
		1	97-1355T	CARTON-EMPTY [2X] ID 58-5/16X21-1/2X5-3/4 ECT48 TOP

**Content Sheet**

**CVHERVS52-14 -- CTN: HER 52" OVL-STR-SIDE FRAME COMP**

Pic #			DESCRIPTION
24	14	29917	OVAL CHANNEL FOAM BLOCK 2 X 4 X 4 1/8
14	14	35738	WRAP UR OVAL TPP SAND 52" (53" OVERALL LENGTH)
<b>Packaging</b>			
	1	97-1357B	CARTON-EMPTY [2XT] ID 58-1/16X20X9-5/8 ECT48 BOT
	1	97-1357T	CARTON-EMPTY [2XT] ID 58-5/16X21-1/2X9-3/4 ECT48 TOP

**Content Sheet**

**CVSTRAP21-12 -- CTN: UNIV OVL-STR-SIDE FRAME COMP**

<i>pic #</i>			DESCRIPTION
18	6	16539	STRAP OVER CHANNEL 2" TALL X 52 3/8"
17	6	16542	CONNECTOR BTM RAIL 1" STR SIDE STEEL
21	4	16549	PRESSURE PLATE (44")
22	12	22126	STRAP SECTION 48.984" (FOR 21')
23	6	22726	OVAL CHANNEL END CAP
<b>Packaging</b>			
<b>1</b>	<b>97-1355B</b>		CARTON-EMPTY [2X] ID 58-1/16X20X5-5/8 ECT48 BOT
<b>1</b>	<b>97-1355T</b>		CARTON-EMPTY [2X] ID 58-5/16X21-1/2X5-3/4 ECT48 TOP



**Content Sheet**

**CVSTRAP21-16 -- CTN: UNIV OVL-STR-SIDE FRAME COMP**

PIC#			DESCRIPTION
18	8	16539	STRAP OVER CHANNEL 2" TALL X 52 3/8"
17	8	16542	CONNECTOR BTM RAIL 1" STR SIDE STEEL
22	16	22126	STRAP SECTION 48.984" (FOR 21')
23	8	22726	OVAL CHANNEL END CAP
<b>Packaging</b>			
1	97-1351B	CARTON-EMPTY [4X] ID 58-1/16X8-3/4X5-5/8 ECT48 BOT	
1	97-1351T	CARTON-EMPTY [4X] ID 58-5/16X10-1/4X5-3/4 ECT48 TOP	

**Content Sheet**

**CVUCGIVO-0202 -- CTN: UNIV OVL-STR-SIDE FRAME COMP**

p.c.#			DESCRIPTION
14	2	15933	UNDER CHANNEL YARDMORE 45 9/16"
	1	22-16722	HDW SS ADD PACK YM (2 UPRIGHT)
15	2	35740	YARDMORE GUSSET LEFT TPP SAND (STEEL)
16	2	35741	YARDMORE GUSSET RIGHT TPP SAND (STEEL)
<b>Packaging</b>			
	1	97-1353B	CARTON-EMPTY [3X] ID 58-1/16X12-1/2X5-5/8 ECT48 BOT
	1	97-1353T	CARTON-EMPTY [3X] ID 58-5/16X14X5-3/4 ECT48 TOP

**Content Sheet**

**CVUCGIVO-0404 -- CTN: UNIV OVL-STR-SIDE FRAME COMP**

Pic#			DESCRIPTION
19	4	15933	UNDER CHANNEL YARDMORE 45 9/16"
	1	22-16720	HDW SS BASE PACK YM(4 UPRIGHTS)
15	4	35740	YARDMORE GUSSET LEFT TPP SAND (STEEL)
16	4	35741	YARDMORE GUSSET RIGHT TPP SAND (STEEL)
<b>Packaging</b>			
	1	97-1353B	CARTON-EMPTY [3X] ID 58-1/16X12-1/2X5-5/8 ECT48 BOT
	1	97-1353T	CARTON-EMPTY [3X] ID 58-5/16X14X5-3/4 ECT48 TOP

**Content Sheet**

**CXHER2143-RARRH1 -- CTN: HER 2143 MIXED CRV/STR COMP**

Pic#			DESCRIPTION
7	28	10296	PLASTIC COPING SINGLE 48" FOR METAL STAB
2	10	12322	BTM RAIL (LX) PRL RESIN 10'6" R CMN 54-1/4" PLUM
2	12	12327	BTM RAIL (LX) PRL RESIN 9'0" R 37-1/2" STR LIGHT BLUE
2	4	12335	BTM RAIL (LX) PRL RESIN 10'6" R 53-1/2" CRNR PLUM
1	14	12903	INR STAB SQ ALUM 10'6"R 54-7/16" PLUM
1	12	16545	RIM 5/8" SQ ALM 9'0"R 33" BLACK
1	14	16546	RIM 5/8" SQ ALM 9'0"R 8" BLACK
10	12	22732	TC 7" CHAMPAGNE OUTER HALF CVD [H1]
10	14	22733	TC 7" CHAMPAGNE OUTER HALF STR [H1]
9	26	22734	TC 7" CHAMPAGNE INNER HALF [H1]
8	12	22735	TC 7" CHAMPAGNE BOOT [H1]
	1	36878	BACKYARD LEISURE CONSUMER DVD
3	14	38908	TOP PLATE 6" RESIN
13	14	38911	TOP PLATE OVAL RESIN
	1	44-10029	HARDWARE POOL KIT ZY OVAL 29
	1	920045	BACKYARD LEISURE WARRANTY TERMS & CONDITIONS
	1	95-0007	ENVELOPES SAFETY COMPLETE
<b>Packaging</b>			
1	97-1357B		CARTON-EMPTY [2XT] ID 58-1/16X20X9-5/8 ECT48 BOT
1	97-1357T		CARTON-EMPTY [2XT] ID 58-5/16X21-1/2X9-3/4 ECT48 TOP