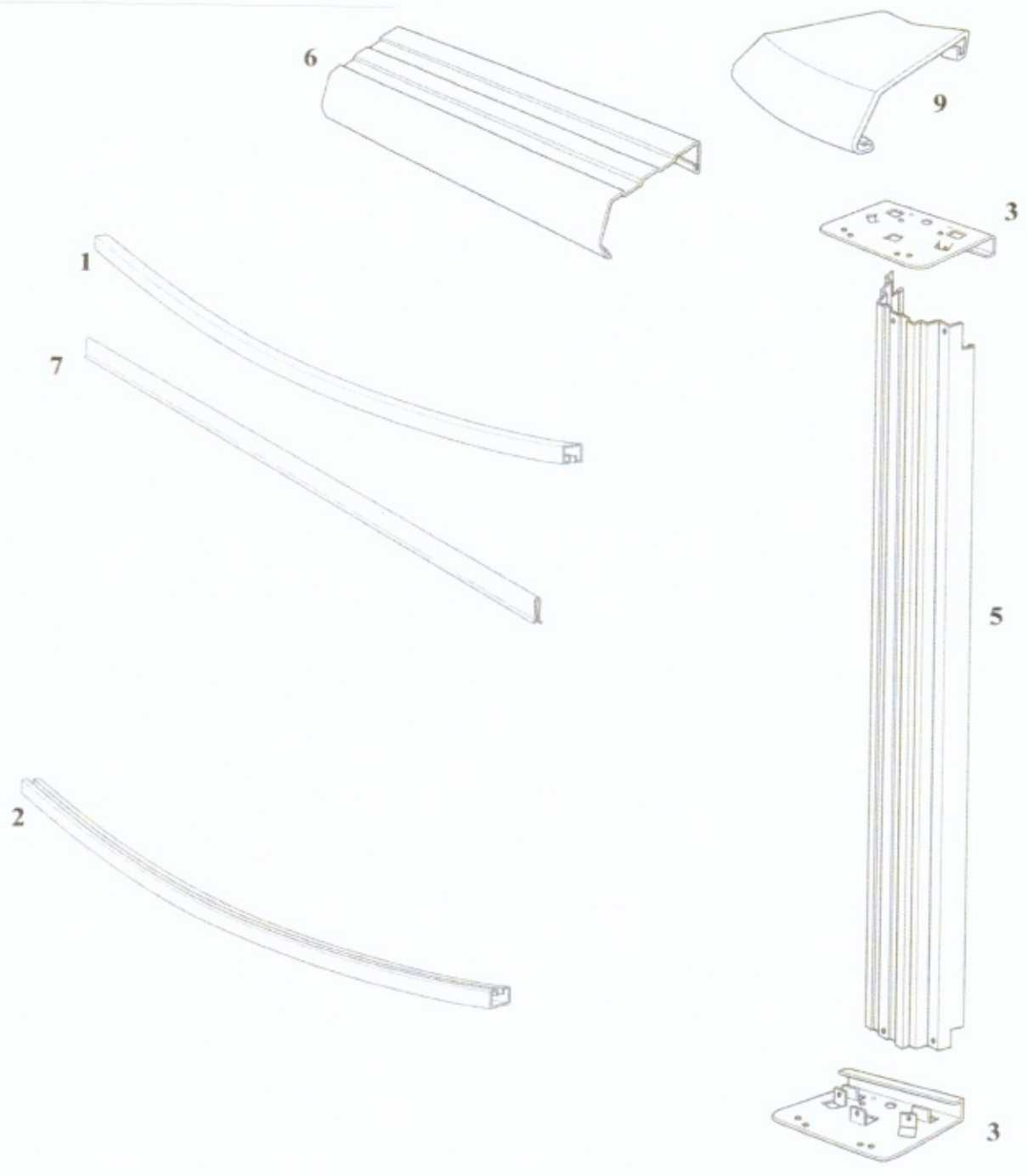


# Sandstone Round



# WBI Pool Breakout

**PREP-1552SSPSSN1**

Features:

Structure Composition

' STEEL - SAND Top Ledges  
STEEL - SAND Uprights  
PAINTED STEEL Bottom Rails  
STEEL Stabilizers  
STEEL Bottom Plates  
STEEL Top Plates

*Note: Double click on carton product search key to see content sheet*

Qty	Carton Part #	Carton Content Description
1	CRREP1552-SSPSSN1	CTN: REP 15-52 CRV-SIDE COMP
1	*** WALL ***	Wall - Depth: 52" Size: 15 Ft

9/1/2023

**Content Sheet**

**CRREP1552-SSPSSN1 -- CTN: REP 15-52 CRV-SIDE COMP**

P/N			DESCRIPTION
7	12	10296	PLASTIC COPING SINGLE 48" FOR METAL STAB
3	20	11595	TOP/BOTTOM PLATE 4.5"
6	10	21428	TR ' SAND KK BULL CMN 55 13/16"
5	10	21430	UR 4.5" SAND KK 51 13/16"
9	10	21431	TC 6" PEARL CAP [N1]
	1	36879	SHARKLINE CONSUMER DVD
1	11	38502	INR STAB SQ STL 7'6"R 53-1/4" ORANGE
2	10	38737	BTM RAIL STL MOMT 7'6"R 54-1/8" CMN ORANGE
	1	44-10004	HARDWARE POOL KIT ZY 4
	1	910029	SHARKLINE WARRANTY TERMS & CONDITIONS
	1	95-0007	ENVELOPES SAFETY COMPLETE
<b>Packaging</b>			
<b>1</b>	<b>97-1357B</b>		CARTON-EMPTY [2XT] ID 58-1/16X20X9-5/8 ECT48 BOT
<b>1</b>	<b>97-1357T</b>		CARTON-EMPTY [2XT] ID 58-5/16X21-1/2X9-3/4 ECT48 TOP

**NOTICE:** Please make sure you save this document with your original pool purchase records. It contains vital information to assist us in identifying your pool should you ever need assistance.