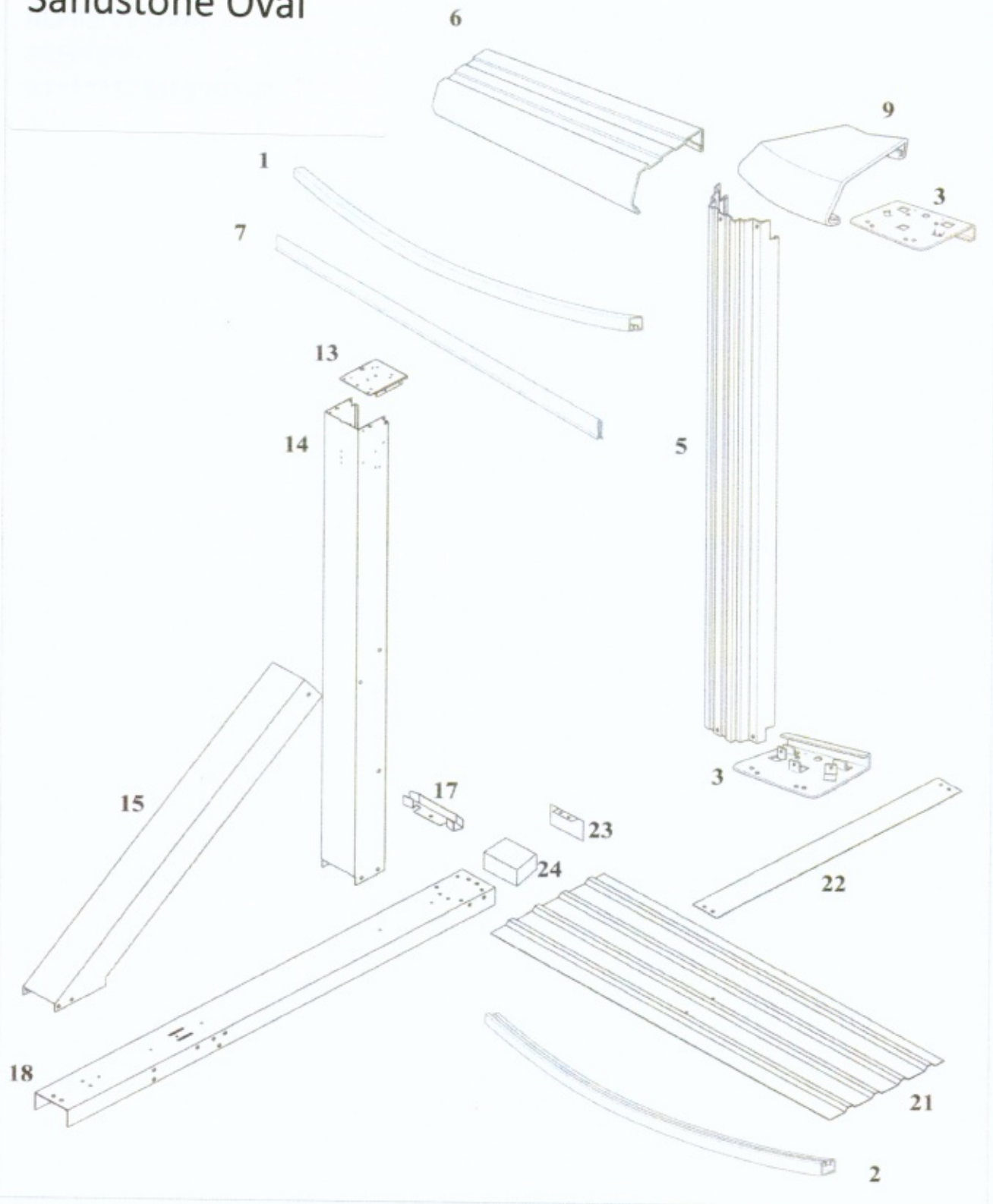


Sandstone Oval



WBI Pool Breakout

PREP-BT152652SSPSSN1

REPRIEVE OVAL 15 x 26 Ft BUTTRESS 1526-52 SSPSSN1

Features: OVAL
Size: 15 x 26 Ft
Depth: 52

10.00

Structure Composition

STEEL - SAND Top Ledges
STEEL - SAND Uprights
PAINTED STEEL Bottom Rails
STEEL Stabilizers
STEEL Bottom Plates
STEEL Top Plates

Note: Double click on carton product search key to see content sheet

Qty	Carton Part #	Carton Content Description
1	CRREP15TS-10	CTN: REP 15 CRV-SIDE FRAME COMP
1	CRREPUS52-12	CTN: REP 52" CRV-SIDE FRAME COMP
1	CVBPRL-STRUT-0603	CTN: UNIV OVL-STR-SIDE FRAME COMP
1	CVREPTS-08	CTN: REP OVL-STR-SIDE FRAME COMP
1	CVREPVS52-06	CTN: REP 52" OVL-STR-SIDE FRAME COMP
1	CVSTRAP15-09	CTN: UNIV OVL-STR-SIDE FRAME COMP
1	CXREP1526-PSSN1	CTN: REP 1526 MIXED CRV/STR COMP
1	*** WALL ***	Wall - Depth: 52" Size: 15 x 26 Ft

9/22/2021

Content Sheet

CRREP15TS-10 -- CTN: REP 15 CRV-SIDE FRAME COMP

		DESCRIPTION
10	21425	TR SAND KK BULL 15' 51 3/16"
Packaging		
1	97-1353B	CARTON-EMPTY [3X] ID 58-1/16X12-1/2X5-5/8 ETC48 BOT
1	97-1353T	CARTON-EMPTY [3X] ID 58-5/16X14X5-3/4 ETC48 TOP

NOTICE: Please make sure you save this document with your original pool purchase records. It contains vital information to assist us in identifying your pool should you ever need assistance.

Content Sheet**CRREPUS52-12 -- CTN: REP 52" CRV-SIDE FRAME COMP**

		DESCRIPTION
12	21430	UR 4.5" SAND KK 51 13/16"
Packaging		
1	97-1351B	CARTON-EMPTY [4X] ID 58-1/16X8-3/4X5-5/8 ETC48 BOT
1	97-1351T	CARTON-EMPTY [4X] ID 58-5/16X10-1/4X5-3/4 ETC48 TOP

NOTICE: Please make sure you save this document with your original pool purchase records. It contains vital information to assist us in identifying your pool should you ever need assistance.

Content Sheet**CVBPRL-STRUT-0603 -- CTN: UNIV OVL-STR-SIDE FRAME COMP**

			DESCRIPTION
	3	16723	STRAP SECTION 39 9/32" (FOR 12,15,18')
	6	17916	WRAP STRUT TPP SAND TXT
	1	22-36501	HDW STRUT - 4 PACK
	1	22-36502	HDW STRUT - 2 PACK
Packaging			
	1	97-1351B	CARTON-EMPTY [4X] ID 58-1/16X8-3/4X5-5/8 ETC48 BOT
	1	97-1351T	CARTON-EMPTY [4X] ID 58-5/16X10-1/4X5-3/4 ETC48 TOP

NOTICE: Please make sure you save this document with your original pool purchase records. It contains vital information to assist us in identifying your pool should you ever need assistance.

Content Sheet

CVREPTS-08 -- CTN: REP OVL-STR-SIDE FRAME COMP

				DESCRIPTION
		6	16549	PRESSURE PLATE (44")
		8	21427	TR SAND KK BULL STR SIDE 41 1/4"
Packaging				
		1	97-1355B	CARTON-EMPTY [2X] ID 58-5/16X20X5-5/8 ETC48 BOT
		1	97-1355T	CARTON-EMPTY [2X] ID 58-5/16X21-1/2X5-3/4 ETC48 TOP

NOTICE: Please make sure you save this document with your original pool purchase records. It contains vital information to assist us in identifying your pool should you ever need assistance.

Content Sheet**CVREPVS52-06 -- CTN: REP 52" OVL-STR-SIDE FRAME COMP**

				DESCRIPTION
		6	29917	OVAL CHANNEL FOAM BLOCK 2 X 4 X 4 1/8
		6	35738	WRAP UR OVAL TPP SAND 52" (53" OVERALL LENGTH)
Packaging				
		1	97-1353B	CARTON-EMPTY [3X] ID 58-1/16X12-1/2X5-5/8 ETC48 BOT
		1	97-1353T	CARTON-EMPTY [3X] ID 58-5/16X14X5-3/4 ETC48 TOP

NOTICE: Please make sure you save this document with your original pool purchase records. It contains vital information to assist us in identifying your pool should you ever need assistance.

Content Sheet

CVSTRAP15-09 -- CTN: UNIV OVL-STR-SIDE FRAME COMP

			DESCRIPTION
	6	16539	STRAP OVER CHANNEL 2" TALL X 52 3/8"
	6	16542	CONNECTOR BTM RAIL 1" STR SIDE STEEL
	9	16725	STRAP SECTION 40 11/16"(FOR 15')
	6	22726	OVAL CHANNEL END CAP
Packaging			
	1	97-1351B	CARTON-EMPTY [4X] ID 58-1/16X8-3/4X5-5/8 ETC48 BOT
	1	97-1351T	CARTON-EMPTY [4X] ID 58-5/16X10-1/4X5-3/4 ETC48 TOP

NOTICE: Please make sure you save this document with your original pool purchase records. It contains vital information to assist us in identifying your pool should you ever need assistance.

Content Sheet

CXREP1526-PSSN1 -- CTN: REP 1526 MIXED CRV/STR COMP

			DESCRIPTION
	6	10136	TOP PLATE 4" OVAL
	19	10296	PLASTIC COPING SINGLE 48" FOR METAL STAB
	24	11595	TOP/BOTTOM PLATE 4.5"
	10	14950	BTM RAIL STL MOMT 7'6"R 49" ORANGE
	4	16713	BTM RAIL STL MOMT 9'0"R 37-1/2" STR SIDE LIGHT BLUE
	4	16714	BTM RAIL STL MOMT 9'0"R 39" CORNER FLUO ORANGE
	18	21431	TC 6" PEARL CAP [N1]
	1	36879	SHARKLINE CONSUMER DVD
	10	38502	INR STAB SQ STL 7'6"R 53-1/4" ORANGE
	4	38511	RIM 5/8" SQ STL 9'0"R 37" BLACK
	4	38512	RIM 5/8" SQ STL 9'0"R 33" BLACK
	6	38513	RIM 5/8" SQ STL 9'0"R 8"
	1	44-10037	HARDWARE POOL KIT ZY OVAL 37
	1	910029	SHARKLINE WARRANTY TERMS & CONDITIONS
	1	95-0007	ENVELOPES SAFETY COMPLETE
Packaging			
	1	97-1355B	CARTON-EMPTY [2X] ID 58-5/16X20X5-5/8 ETC48 BOT
	1	97-1355T	CARTON-EMPTY [2X] ID 58-5/16X21-1/2X5-3/4 ETC48 TOP

NOTICE: Please make sure you save this document with your original pool purchase records. It contains vital information to assist us in identifying your pool should you ever need assistance.