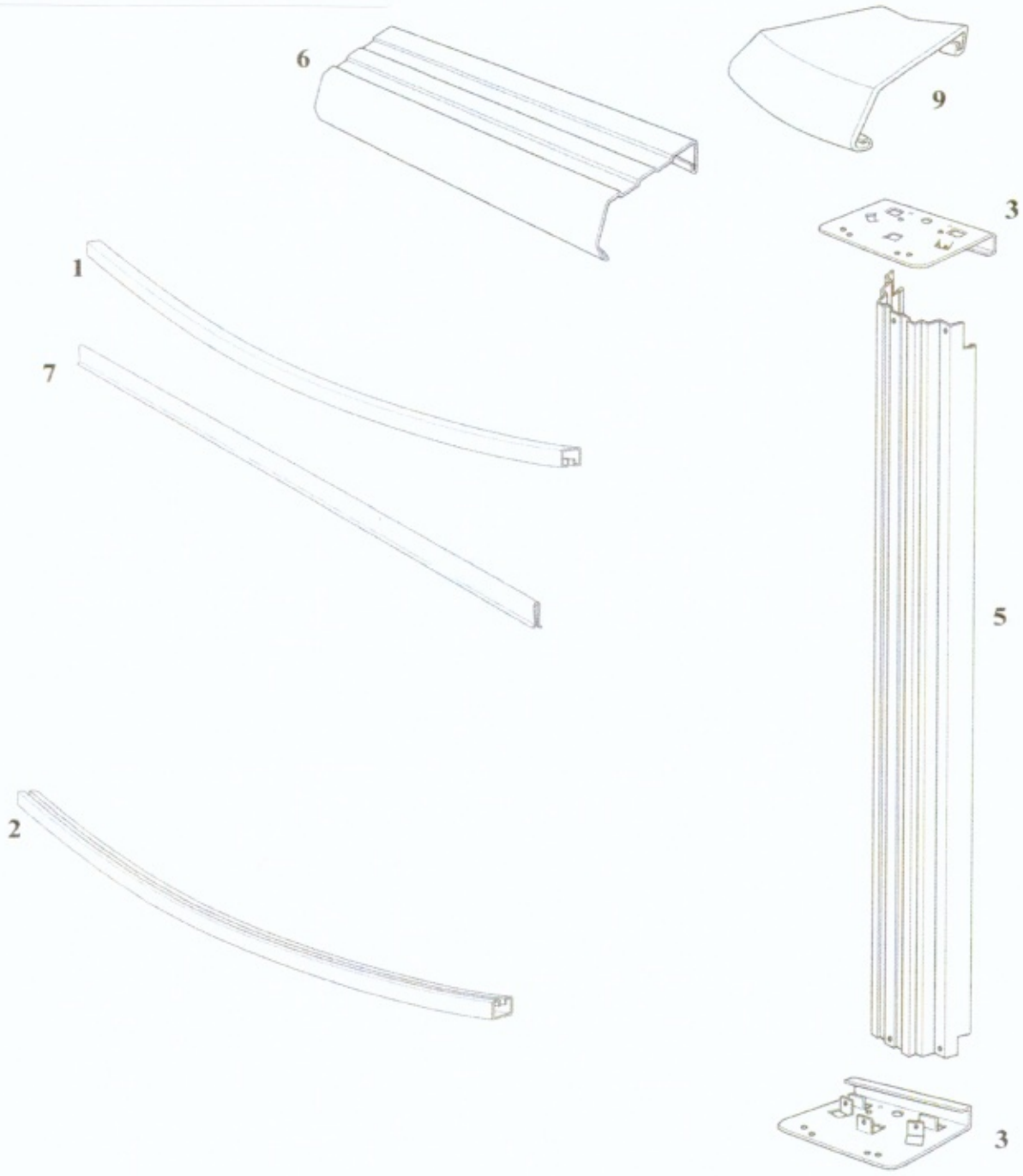


Sandstone Round



WBI Pool Breakout

PREP-1852SSPSSN1

REPRIEVE ROUND 18 Ft 18-52 SSPSSN1

Features: ROUND
Size: 18 Ft
Depth: 52

10.00

Structure Composition

STEEL - SAND Top Ledges
STEEL - SAND Uprights
PAINTED STEEL Bottom Rails
STEEL Stabilizers
STEEL Bottom Plates
STEEL Top Plates

Note: Double click on carton product search key to see content sheet

Qty	Carton Part #	Carton Content Description
1	CRREP1852-SSPSSN1	CTN: REP 18-52 CRV-SIDE COMP
1	*** WALL ***	Wall - Depth: 52" Size: 18 Ft

9/22/2021

Content Sheet

CRREP1852-SSPSSN1 -- CTN: REP 18-52 CRV-SIDE COMP

QTY	DESCRIPTION
7	14 10296 PLASTIC COPING SINGLE 48" FOR METAL STAB
3	24 11595 TOP/BOTTOM PLATE 4.5"
6	12 21428 TR SAND KK BULL CMN 55 13/16"
5	12 21430 UR 4.5" SAND KK 51 13/16"
9	12 21431 TC 6" PEARL CAP [N1]
	1 36879 SHARKLINE CONSUMER DVD
1	13 38503 INR STAB SQ STL 9'0"R 54-1/8" BLACK
2	12 38738 BTM RAIL STL MOMT 9'0"R 54-7/16" CMN BLACK
	1 44-10006 HARDWARE POOL KIT ZY 6
	1 910029 SHARKLINE WARRANTY TERMS & CONDITIONS
	1 95-0007 ENVELOPES SAFETY COMPLETE
Packaging	
1	97-1357B CARTON-EMPTY [2XT] ID 58-5/16X20X9-5/8 ETC48 BOT
1	97-1357T CARTON-EMPTY [2XT] ID 58-5/16X21-1/2X9-3/4 ETC48 TOP

NOTICE: Please make sure you save this document with your original pool purchase records. It contains vital information to assist us in identifying your pool should you ever need assistance.