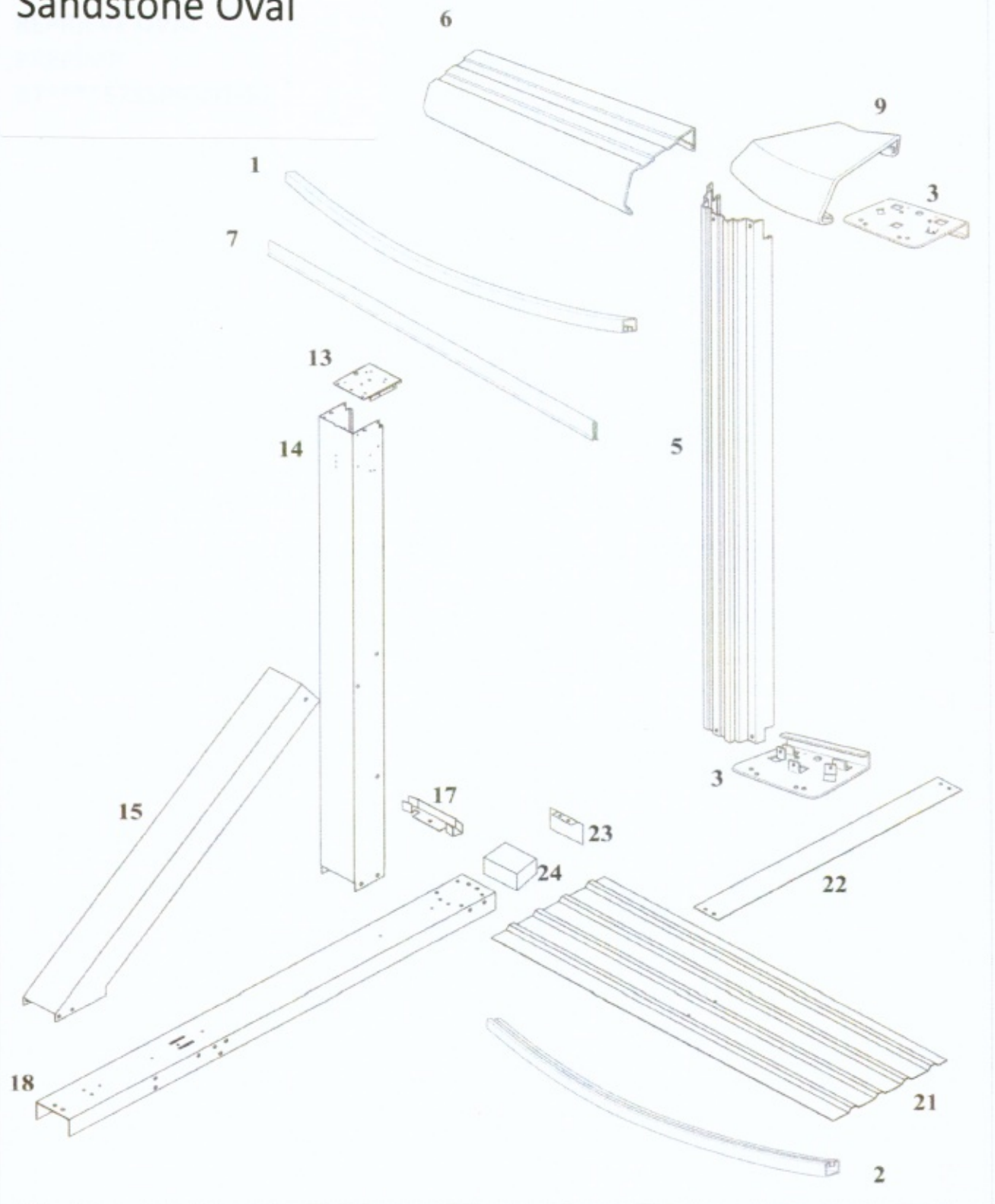


Sandstone Oval



WBI Pool Breakout

PREP-BT183352SSPSSN1

REPRIEVE OVAL 18 x 33 Ft BUTTRESS 1833-52 SSPSSN1

Features: OVAL
Size: 18 x 33 Ft
Depth: 52

10.00

Structure Composition

STEEL - SAND Top Ledges
STEEL - SAND Uprights
PAINTED STEEL Bottom Rails
STEEL Stabilizers
STEEL Bottom Plates
STEEL Top Plates

Note: Double click on carton product search key to see content sheet

Qty	Carton Part #	Carton Content Description
1	CRREP18TS-12	CTN: REP 18 CRV-SIDE FRAME COMP
1	CRREPUS52-14	CTN: REP 52" CRV-SIDE FRAME COMP
1	CVBPRL-STRUT-0804	CTN: UNIV OVL-STR-SIDE FRAME COMP
1	CVREPTS-10	CTN: REP OVL-STR-SIDE FRAME COMP
1	CVREPVS52-08	CTN: REP 52" OVL-STR-SIDE FRAME COMP
1	CVSTRAP18-12	CTN: UNIV OVL-STR-SIDE FRAME COMP
1	CXREP1833-PSSN1	CTN: REP 1833 MIXED CRV/STR COMP
1	*** WALL ***	Wall - Depth: 52" Size: 18 x 33 Ft

9/22/2021

Content Sheet**CRREP18TS-12 -- CTN: REP 18 CRV-SIDE FRAME COMP**

		DESCRIPTION
12	21426	TR SAND KK BULL 18' 51 15/16"
Packaging		
1	97-1353B	CARTON-EMPTY [3X] ID 58-1/16X12-1/2X5-5/8 ETC48 BOT
1	97-1353T	CARTON-EMPTY [3X] ID 58-5/16X14X5-3/4 ETC48 TOP

NOTICE: Please make sure you save this document with your original pool purchase records. It contains vital information to assist us in identifying your pool should you ever need assistance.

Content Sheet**CRREPUS52-14 -- CTN: REP 52" CRV-SIDE FRAME COMP**

		DESCRIPTION
	14	21430 UR 4.5" SAND KK 51 13/16"
Packaging		
	1	97-1353B CARTON-EMPTY [3X] ID 58-1/16X12-1/2X5-5/8 ETC48 BOT
	1	97-1353T CARTON-EMPTY [3X] ID 58-5/16X14X5-3/4 ETC48 TOP

NOTICE: Please make sure you save this document with your original pool purchase records. It contains vital information to assist us in identifying your pool should you ever need assistance.

Content Sheet

CVBPRL-STRUT-0804 -- CTN: UNIV OVL-STR-SIDE FRAME COMP

				DESCRIPTION
	4	16723		STRAP SECTION 39 9/32" (FOR 12,15,18')
	8	17916		WRAP STRUT TPP SAND TXT
	2	22-36501		HDW STRUT - 4 PACK
Packaging				
	1	97-1353B		CARTON-EMPTY [3X] ID 58-1/16X12-1/2X5-5/8 ETC48 BOT
	1	97-1353T		CARTON-EMPTY [3X] ID 58-5/16X14X5-3/4 ETC48 TOP

NOTICE: Please make sure you save this document with your original pool purchase records. It contains vital information to assist us in identifying your pool should you ever need assistance.

Content Sheet

CVREPTS-10 -- CTN: REP OVL-STR-SIDE FRAME COMP

				DESCRIPTION
	8	16549		PRESSURE PLATE (44")
	10	21427		TR SAND KK BULL STR SIDE 41 1/4"
Packaging				
	1	97-1355B		CARTON-EMPTY [2X] ID 58-5/16X20X5-5/8 ETC48 BOT
	1	97-1355T		CARTON-EMPTY [2X] ID 58-5/16X21-1/2X5-3/4 ETC48 TOP

NOTICE: Please make sure you save this document with your original pool purchase records. It contains vital information to assist us in identifying your pool should you ever need assistance.

Content Sheet

CVREPVS52-08 -- CTN: REP 52" OVL-STR-SIDE FRAME COMP

				DESCRIPTION
	8	29917		OVAL CHANNEL FOAM BLOCK 2 X 4 X 4 1/8
	8	35738		WRAP UR OVAL TPP SAND 52" (53" OVERALL LENGTH)
Packaging				
	1	97-1355B		CARTON-EMPTY [2X] ID 58-5/16X20X5-5/8 ETC48 BOT
	1	97-1355T		CARTON-EMPTY [2X] ID 58-5/16X21-1/2X5-3/4 ETC48 TOP

NOTICE: Please make sure you save this document with your original pool purchase records. It contains vital information to assist us in identifying your pool should you ever need assistance.

Content Sheet

CVSTRAP18-12 -- CTN: UNIV OVL-STR-SIDE FRAME COMP

			DESCRIPTION
		8	16539 STRAP OVER CHANNEL 2" TALL X 52 3/8"
		8	16542 CONNECTOR BTM RAIL 1" STR SIDE STEEL
		12	16726 STRAP SECTION 52 11/16"(FOR 18')
		8	22726 OVAL CHANNEL END CAP
Packaging			
		1	97-1351B CARTON-EMPTY [4X] ID 58-1/16X8-3/4X5-5/8 ETC48 BOT
		1	97-1351T CARTON-EMPTY [4X] ID 58-5/16X10-1/4X5-3/4 ETC48 TOP

NOTICE: Please make sure you save this document with your original pool purchase records. It contains vital information to assist us in identifying your pool should you ever need assistance.

Content Sheet

CXREP1833-PSSN1 -- CTN: REP 1833 MIXED CRV/STR COMP

			DESCRIPTION
	8	10136	TOP PLATE 4" OVAL
	21	10296	PLASTIC COPING SINGLE 48" FOR METAL STAB
	28	11595	TOP/BOTTOM PLATE 4.5"
	12	14949	BTM RAIL STL MOMT 9'0"R 50" BLACK
	6	16713	BTM RAIL STL MOMT 9'0"R 37-1/2" STR SIDE LIGHT BLUE
	4	16714	BTM RAIL STL MOMT 9'0"R 39" CORNER FLUO ORANGE
	22	21431	TC 6" PEARL CAP [N1]
	1	36879	SHARKLINE CONSUMER DVD
	12	38503	INR STAB SQ STL 9'0"R 54-1/8" BLACK
	4	38511	RIM 5/8" SQ STL 9'0"R 37" BLACK
	6	38512	RIM 5/8" SQ STL 9'0"R 33" BLACK
	8	38513	RIM 5/8" SQ STL 9'0"R 8"
	1	44-10040	HARDWARE POOL KIT ZY OVAL 40
	1	910029	SHARKLINE WARRANTY TERMS & CONDITIONS
	1	95-0007	ENVELOPES SAFETY COMPLETE
Packaging			
	1	97-1355B	CARTON-EMPTY [2X] ID 58-5/16X20X5-5/8 ETC48 BOT
	1	97-1355T	CARTON-EMPTY [2X] ID 58-5/16X21-1/2X5-3/4 ETC48 TOP

NOTICE: Please make sure you save this document with your original pool purchase records. It contains vital information to assist us in identifying your pool should you ever need assistance.