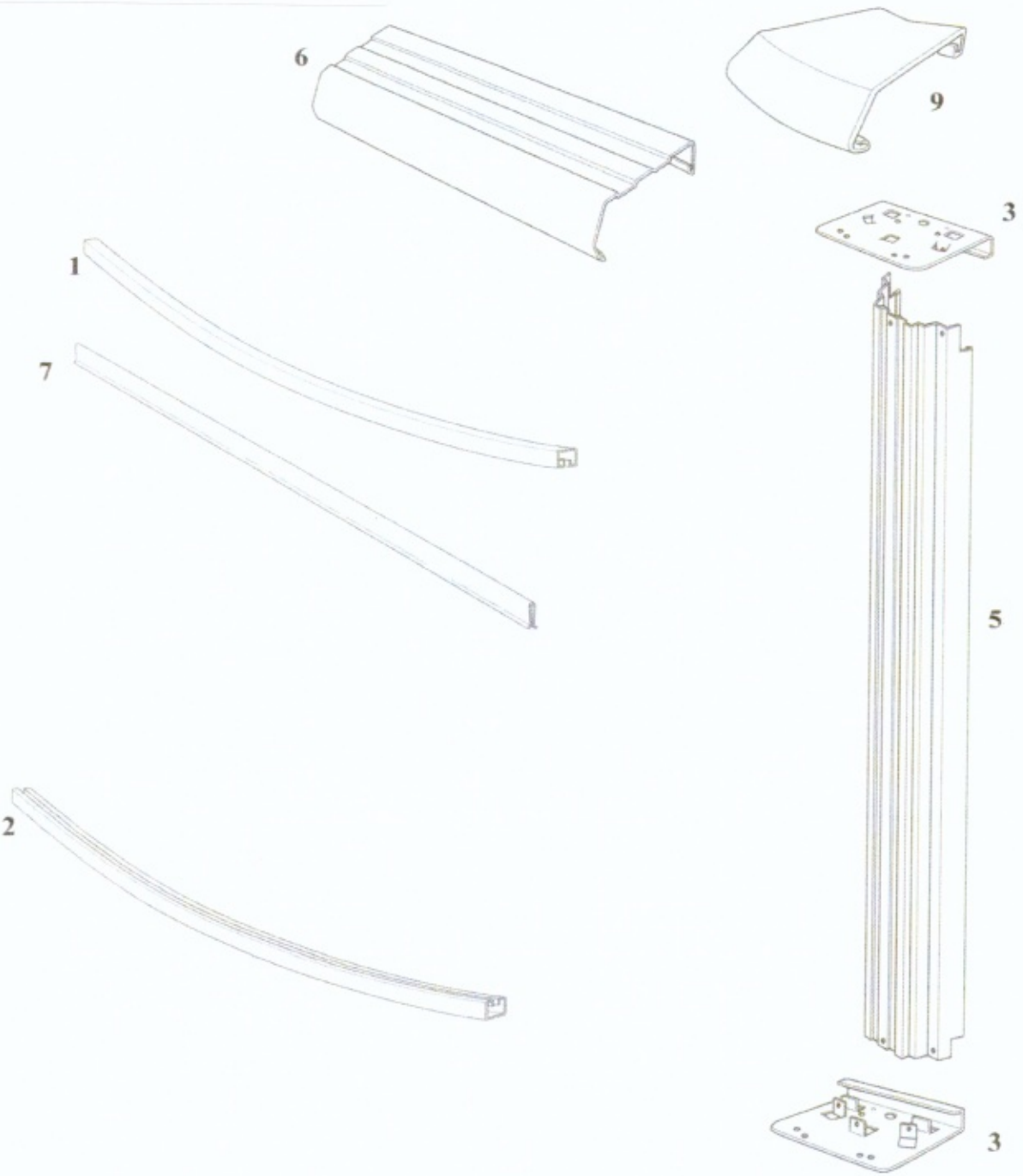


# Sandstone Round



# WBI Pool Breakout

**PREP-2152SSPSSN1**

REPRIEVE ROUND 21 Ft 21-52 SSPSSN1

**Features:** ROUND  
Size: 21 Ft  
Depth: 52

10.00

Structure Composition

STEEL - SAND Top Ledges  
STEEL - SAND Uprights  
PAINTED STEEL Bottom Rails  
STEEL Stabilizers  
STEEL Bottom Plates  
STEEL Top Plates

*Note: Double click on carton product search key to see content sheet*

Qty	Carton Part #	Carton Content Description
1	CRREP2152-SSPSSN1	CTN: REP 21-52 CRV-SIDE COMP
1	*** WALL ***	Wall - Depth: 52" Size: 21 Ft

9/22/2021

**Content Sheet**

**CRREP2152-SSPSSN1 -- CTN: REP 21-52 CRV-SIDE COMP**

P/N	QTY		DESCRIPTION
7	16	10296	PLASTIC COPING SINGLE 48" FOR METAL STAB
3	28	11595	TOP/BOTTOM PLATE 4.5"
6	14	21428	TR SAND KK BULL CMN 55 13/16"
5	14	21430	UR 4.5" SAND KK 51 13/16"
9	14	21431	TC 6" PEARL CAP [N1]
	1	36879	SHARKLINE CONSUMER DVD
1	15	38505	INR STAB SQ STL 10'6"R 54-7/16" PLUM
2	14	38739	BTM RAIL STL MOMT 10'6"R 54-1/4" CMN PLUM
	1	44-10008	HARDWARE POOL KIT ZY 8
	1	910029	SHARKLINE WARRANTY TERMS & CONDITIONS
	1	95-0007	ENVELOPES SAFETY COMPLETE
<b>Packaging</b>			
1		97-1357B	CARTON-EMPTY [2XT] ID 58-5/16X20X9-5/8 ETC48 BOT
1		97-1357T	CARTON-EMPTY [2XT] ID 58-5/16X21-1/2X9-3/4 ETC48 TOP

**NOTICE:** Please make sure you save this document with your original pool purchase records. It contains vital information to assist us in identifying your pool should you ever need assistance.