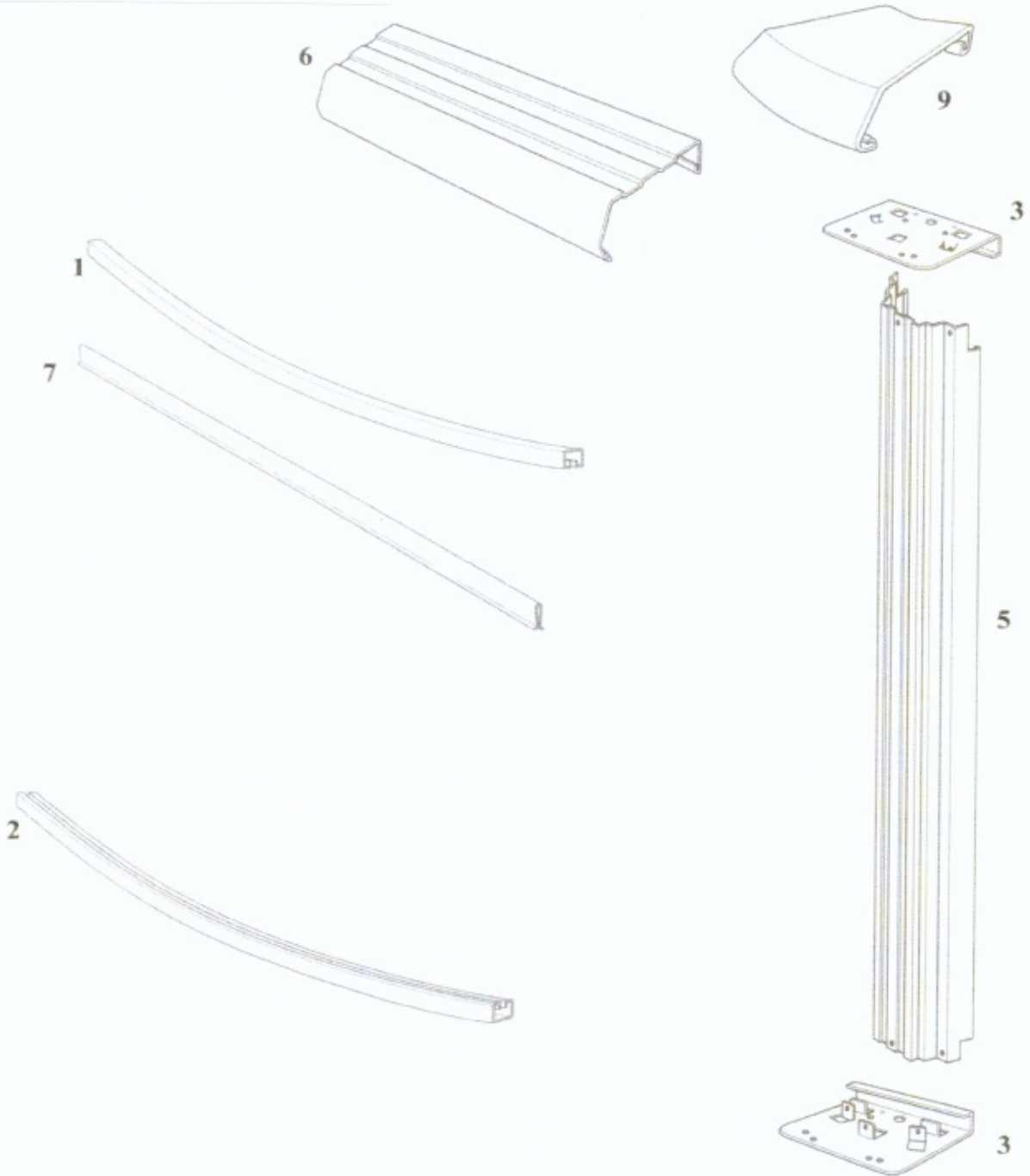


# Sandstone Round



# WBI Pool Breakout

**PREP-2752SSPSSN1**

REPRIEVE ROUND 27 Ft 27-52 SSPSSN1

**Features:** ROUND  
Size: 27 Ft  
Depth: 52

10.00

Structure Composition

STEEL - SAND Top Ledges  
STEEL - SAND Uprights  
PAINTED STEEL Bottom Rails  
STEEL Stabilizers  
STEEL Bottom Plates  
STEEL Top Plates

*Note: Double click on carton product search key to see content sheet*

| Qty | Carton Part #     | Carton Content Description        |
|-----|-------------------|-----------------------------------|
| 1   | CRREP27TS-PSSN1   | CTN: REP 27 CRV-SIDE COMP         |
| 1   | CRREPUS52CN1-1818 | CTN: REP 52 1 CRV-SIDE FRAME COMP |
| 1   | *** WALL ***      | Wall - Depth: 52" Size: 27 Ft     |

9/22/2021

**Content Sheet**

**CRREP27TS-PSSN1 -- CTN: REP 27 CRV-SIDE COMP**

| PN               | QTY             |          | DESCRIPTION  |
|------------------|-----------------|----------|--|
| 7                | 21              | 10296    | PLASTIC COPING SINGLE 48" FOR METAL STAB             |
| 3                | 36              | 11595    | TOP/BOTTOM PLATE 4.5"                                |
| 6                | 18              | 21428    | TR SAND KK BULL CMN 55 13/16"                        |
|                  | 1               | 36879    | SHARKLINE CONSUMER DVD                               |
| 1                | 20              | 38507    | INR STAB SQ STL 13'6"R 52-7/8" FLOUR GREEN           |
| 2                | 18              | 38741    | BTM RAIL STL MOMT 13'6"R 54-1/4" CMN FLUO GREEN      |
|                  | 1               | 44-10011 | HARDWARE POOL KIT ZY 11                              |
|                  | 1               | 910029   | SHARKLINE WARRANTY TERMS & CONDITIONS                |
|                  | 1               | 95-0007  | ENVELOPES SAFETY COMPLETE                            |
| <b>Packaging</b> |                 |          |  |
| <b>1</b>         | <b>97-1357B</b> |          | CARTON-EMPTY [2XT] ID 58-5/16X20X9-5/8 ETC48 BOT     |
| <b>1</b>         | <b>97-1357T</b> |          | CARTON-EMPTY [2XT] ID 58-5/16X21-1/2X9-3/4 ETC48 TOP |

**NOTICE:** Please make sure you save this document with your original pool purchase records. It contains vital information to assist us in identifying your pool should you ever need assistance.

**Content Sheet**

CRREPUS52CN1-1818 -- CTN: REP 52 1 CRV-SIDE FRAME COMP

| PLN              | QTY |          | DESCRIPTION   |
|------------------|-----|----------|---|
| 5                | 18  | 21430    | UR 4.5" SAND KK 51 13/16"                           |
| 9                | 18  | 21431    | TC 6" PEARL CAP [N1]                                |
| <b>Packaging</b> |     |          |   |
| 1                |     | 97-1355B | CARTON-EMPTY [2X] ID 58-5/16X20X5-5/8 ETC48 BOT     |
| 1                |     | 97-1355T | CARTON-EMPTY [2X] ID 58-5/16X21-1/2X5-3/4 ETC48 TOP |

**NOTICE:** Please make sure you save this document with your original pool purchase records. It contains vital information to assist us in identifying your pool should you ever need assistance.