



# POOL BREAKDOWN



## 7" SERIES 24' x 12' OVAL 52" RESIN TOP RAIL - RESIN VERTICAL - RESIN BOTTOM RAIL

√	QTY	CARTON NUMBER	CARTON DESCRIPTION
	1	5-9942-760	ASSEMBLY PACK CARTON
	1	5-9803-712	TOP RAIL PACK CARTON
	1	5-9804-712	TOP RAIL PACK CARTON
	1	5-9710-712	VERTICAL PACK CARTON
	1	5-XXXX-042	SIDEWALL CARTON
	1	0-8852-600	SIDE SUPPORT CARTON
	1	0-8888-206	SUPPORT BASE CARTON
	1	5-9110-702	SKIRT PACK CARTON
	1	5-9999-1016	TOP CONNECTOR PACK



# CARTON BREAKDOWN

✓	ITEM	QTY	PART NUMBER	DESCRIPTION
<b>TOP RAIL PACK # 5-9803-712</b>				
	1	12	587-1626	Top Rail
<b>TOP RAIL PACK # 5-9804-712</b>				
	12	4	587-1627	Top Rail - side
<b>SKIRT PACK # 5-9110-702</b>				
	2	10	340-2610	Vertical skirt
	3	20	330-1023	Hex washer head screw #8 x 5/8"
	4	20	330-1127	Sheet metal screw, #10 x 1/2"
<b>ASSEMBLY PACK # 5-9942-760</b>				
	5	12	583-1070	Stabilizer Rail (Large)
	6	8	583-1071	Stabilizer Rail (Small)
	7	20	580-2426	Vertical End Cap
	7a	6	580-2430	Side vertical end cap
	8	16	580-2128	Outer connector bracket
	10	33	545-1001	Plastic coping
	11	12	589-1046P	Bottom rail - stamped 12
	11b	4	589-1052P	Bottom rail - side - stamped S
	16	132	330-1127	Sheet metal screw, #10 x 1/2"
	17	10	510-1038	Machine screw #6-32 x 1/2"
	18	10	321-1088	Hex nut #6-32
	18a	6	510-1008	Slotted pan head machine screw #10-24 - 1/2"
	18b	6	321-1025	Square nut #10-24
	—	1	573-5508	Pool Parts List
	—	1	573-4036	Installation Instructions
	—	1	— — —	Warranty Card
	—	1	573-3169	"Safety First" Booklet
<b>TOP CONNECTOR PACK # 5-9999-1016</b>				
	9	16	340-2645	Top connector
<b>VERTICAL PACK # 5-9710-712</b>				
	19	10	341-1485	Vertical
<b>SIDEWALL CARTON</b>				
	28	1	5-XXXX-042	Sidewall
	29	26	330-1280	1/4-20 x 1/2" Grade 5 Bolt
	30	26	321-1029	1/4-20 Hex Flange Locknut
	31	1	535-1442	Protective Strip
	—	1	560-1055	Warning Sign
	—	1	573-3169	"Safety First" Booklet
	—	1	573-3498	Safety DVD

WRITE SIDEWALL NUMBER HERE \_\_\_\_\_

WRITE SIDEWALL BOX SERIAL NUMBER HERE \_\_\_\_\_

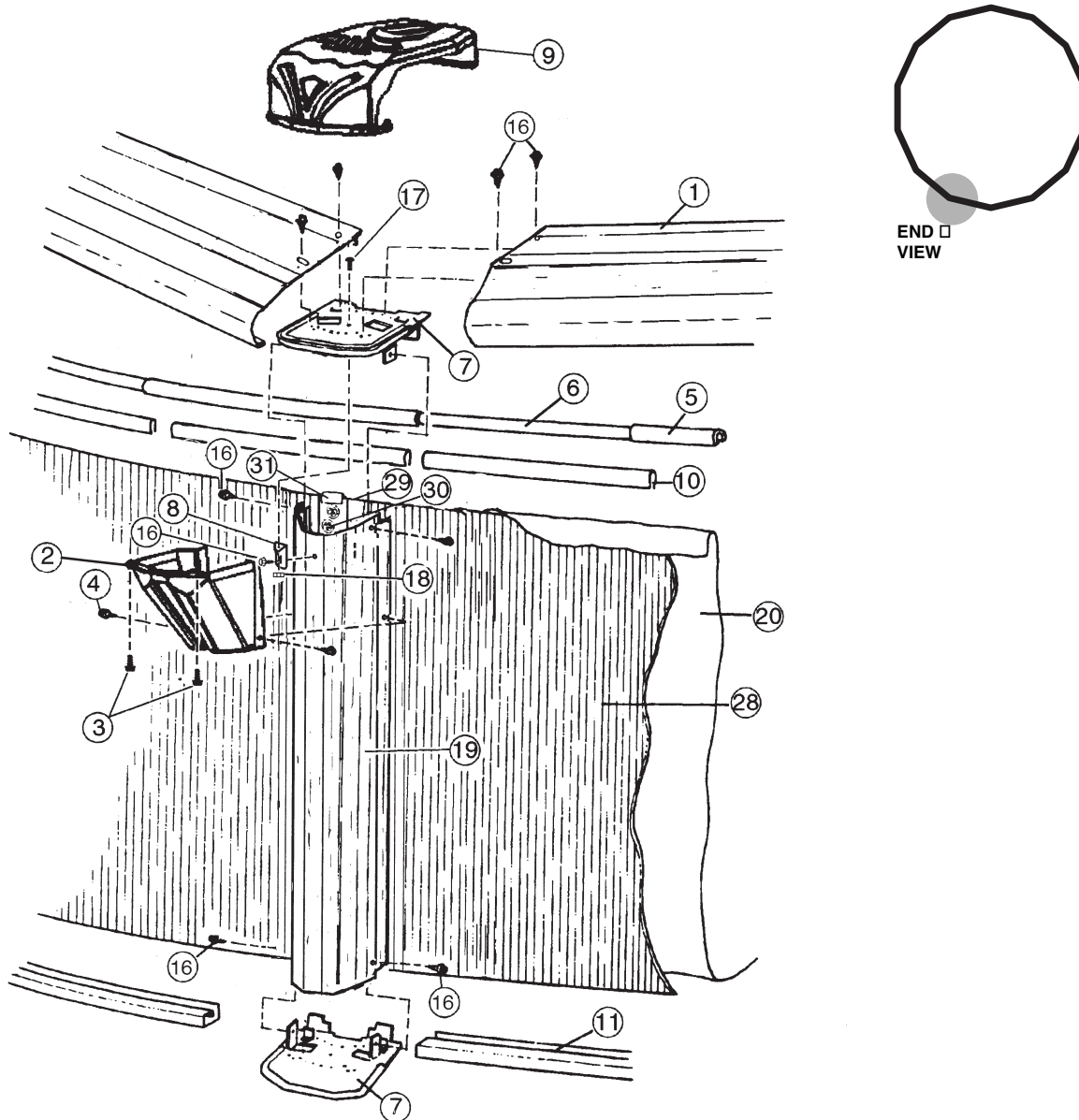
**SUPPORT BASE PACK # 0-8888-206**

34	6	580-1779	Skid support
35	6	580-2071	Ground support - top
36	6	580-2072	Ground support - bottom
37	6	580-1870	Pressure pad
38	6	580-1869	Pressure pad
39	6	580-1792	Btm rail locator & cover
40	36	510-1035	#12x3/4" hex washer head screw
41	24	330-1220	3/8"-16 x 3-1/2" hex head bolt
42	24	321-1069	3/8-16 hex nut
43	24	510-1018	1/4-20 x 1/2" hex head bolt - grade 5
44	24	511-1000	1/4-20 hex nut
45	36	330-1127	Sheet metal screw, #10 x 1/2"

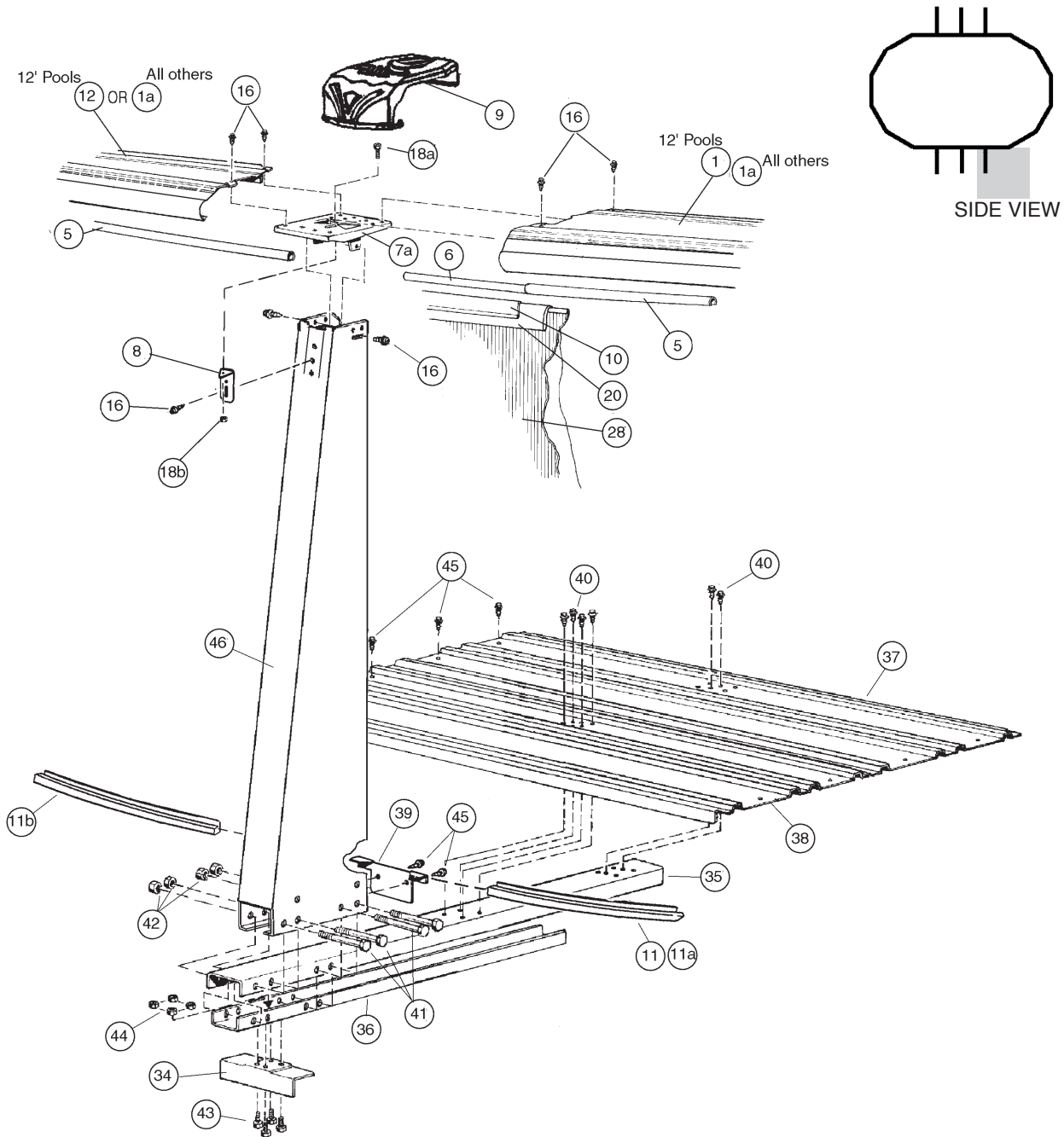
**SIDE SUPPORT PACK # 0-8852-600**

46	6	580-2074	Side support
----	---	----------	--------------

**EXPLODED PARTS VIEW**



# EXPLODED PARTS VIEW



**Important!** Above-ground pools are designed for swimming and wading only. Do not Dive or Jump! Misuse of your pool may result in crippling injury and/or other dangers to life and health. Do not use slides, diving boards, or any other platform or object which can be used for improper pool entry. Use only an above-ground swimming pool ladder or entry system to enter or exit your pool. Never attempt to swim or reach behind ladders or any other pool entry system. It is the pool owner's responsibility to secure the pool against unauthorized, unsupervised or unintentional entry. It is also the pool owner's responsibility to warn all pool users of the hazards of diving into shallow water: paralyzing injury may result. Always obey all safety rules. Remember, pool safety is everybody's responsibility.

Safety decals and caution information provided with your pool have been endorsed by the U.S. Consumer Product Safety Commission. It is mandatory that the pool owner and installer follow the installation and use directions for all provided safety signs and decals. Juveniles must be supervised at all times by a responsible adult as directed by the USCPSC.

Change of Design: The manufacturer (Hill) expressly reserves the right to change or modify the design and construction of any product in due course of their manufacturing procedures, without incurring any obligation to furnish or install such changes or modifications on products previously or subsequently sold.